



RDD810/NF

Touch Screen Flush-mount Room Thermostats

For heating applications

-
- Large display with backlight
 - 2P / PI / P control
 - 2-position (ON/OFF) control with potential free output for heating
 - 2 multifunctional inputs for keycard, window contact, external temperature sensor, presence detection, and etc.
 - Operating modes: Comfort, Economy and Protection
 - Minimum and maximum limitation of room temperature setpoint
 - Control depending on the room or external temperature sensor
 - Adjustable commissioning and control parameters
 - AC 230 V operating voltage
 - RDD810/NF: Mounting on recessed square 86 mm box with 60.3 mm fixing centers and min 40 mm depth, requires additional mounting frame

Use

Room temperature control in a heating system:

Typical applications:

- Apartments
- Commercial buildings
- Schools

For the control of the following pieces of equipment:

- Thermal valves or zone valves
- Gas or oil boilers
- Pumps
- Floor Heating

Functions

- Room temperature control via built-in temperature sensor or external room temperature sensor
- Selection of operating mode via touch screen
- Temporary Comfort mode extension
- Display of current room temperature or setpoint in °C and/or °F
- Minimum and maximum limitation of room temperature setpoint
- Key lock function: unlock, total lock and setpoint
- 2 multifunctional inputs, freely selectable for:
 - External room temperature or return air temperature sensor
 - Window contact
 - Fault input
 - Monitor input for temperature sensor or switch state
 - Presence detector
- Floor heating temperature limitation
- Reload factory settings for commissioning and control parameters
- Wizard function for easy commissioning via HMI

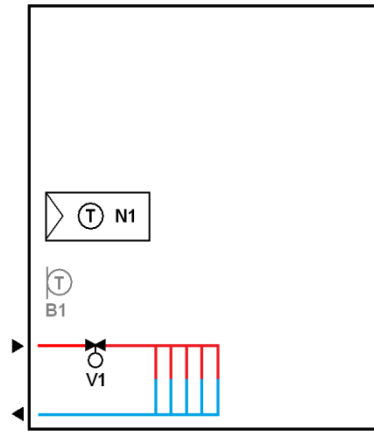
Note: The functional descriptions for the thermostat can be referred to the basic documentation P3174

Applications

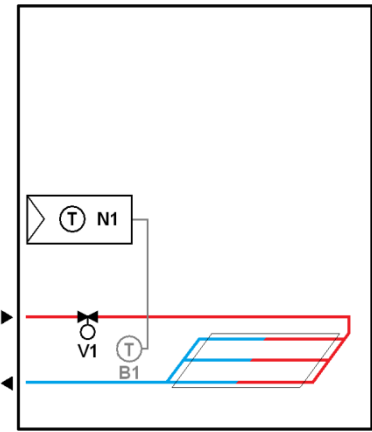
The thermostat supports the heating applications:

- Hydronic floor heating controls
- Radiators
- Wall-hung boilers

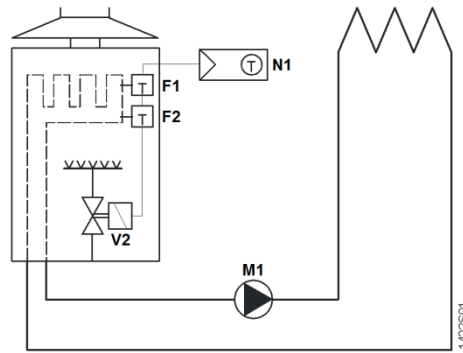
Application Examples



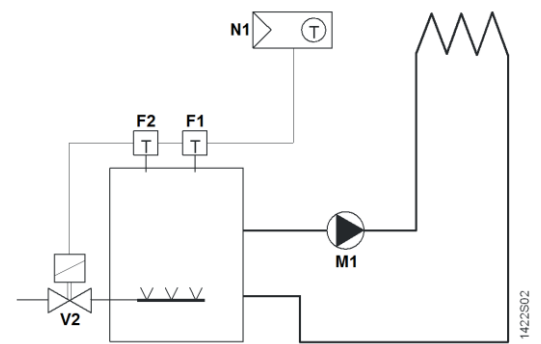
Room thermostat to control the valve of the radiator application



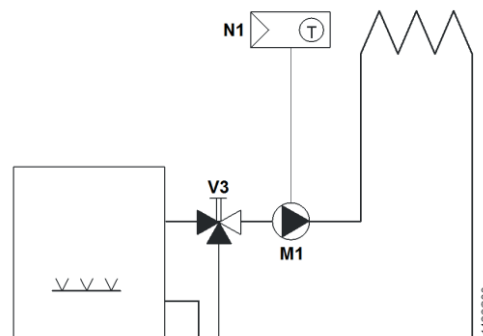
Room thermostat to control the valve for the floor heating application



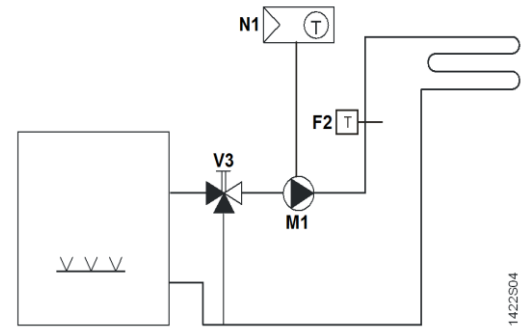
Room thermostat with direct control of a gas-fired wall-hung boiler



Room thermostat with direct control of a gas-fired floor-standing boiler



Room thermostat with direct control of a heat pump (pre-controlled by manual mixing valve)



Room thermostat with direct control of hydronic floor heating system

F1 Thermal reset limit thermostat
 F2 Safety limit thermostat
 M1 Circulating pump

N1 Room thermostat
 V1 2-port valve
 V2 Mixing 3-port valve with manual adjustment
 V3 Magnetic valve

Type summary

Product no.	Stock no.	Operating voltage	Control outputs			Suitable for
			3-pos	ON/OFF	DC 0..10 V	
RDD810/NF ²⁾	S55770-T406	AC 230 V	--	2 ¹⁾	--	Square conduit box ²⁾

¹⁾ ON/OFF output with potential free input from AC 24...230 V













²⁾ Mounting frames are not included and must be ordered separately. See "Accessories"

Ordering

- When ordering, indicate product number, SSN and name.
For example: **RDD810/NF (S55770-T406) room thermostat**
- A mounting frame must be ordered for RDD810/NF installation (See "Accessories")
- Order valve actuators separately.

Equipment combinations

ON/OFF actuators

Type of unit		Product no.	Data sheet
Cable temperature sensor or changeover sensor cable length 2.5 m NTC (3 kΩ at 25 °C)		QAH11.1 ^{d)}	1840
Room temperature sensor NTC (3 kΩ at 25 °C)		QAA32	1747
Cable temperature sensor, cable length 4 m NTC (3 kΩ at 25 °C)		QAP1030/UFH	1854
Electromotoric ON/OFF actuator		SFA21...	4863
Electromotoric ON/OFF valve and actuator ^{a)}		MVI.../MXI...	A6V11251892
Zone valve actuators ^{a)}		SUA...	4832
Thermal actuator ^{b)}		STA23...	4884
Thermal actuator ^{c)}		STP23...	4884
Damper actuator		GDB..	4634
Damper actuator		GSD..	4603
Damper actuator		GQD..	4604
Rotary damper actuator		GXD..	4622

^{a)} only available in AP, UAE, SA and IN


^{b)} for radiator valve

^{c)} for small valves 2.5 mm

d) both QAH11.1 and QAP1030/UFH are for floor heating applications, such as temperature limitation controls. QAP1030/UFH has a special head and 4 m long that is more suitable for such application

Note: Refer to data sheets of the actuators for the maximum number of parallel operation.

Accessories

Designation		Product no. / SSN	Data sheet
Single mounting frame, Ivory White ^{*)}		ARG800.1 / S55770-T370	--

^{*)} See the dimensions of mounting frame on page 17.

Mechanical design

The thermostats consist of the following parts:

- Front panel with electronics, operating elements and built-in room temperature sensor.
- Mounting base with power electronics.
- Mounting frame is an additional part to complete the installation for RDD810/NF.

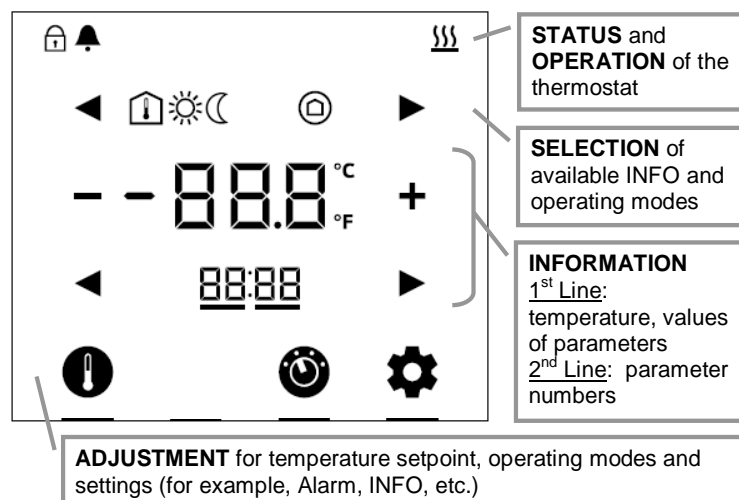
The rear of the mounting base contains the screw terminals.

Slide the front panel in the mounting base and snap on.

Operation and settings



Display



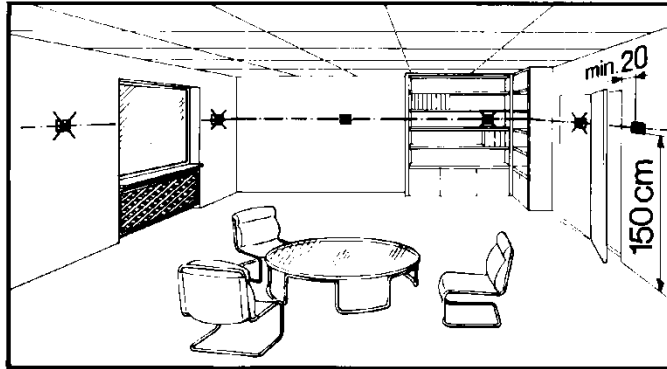
Status symbols:			
	Key lock		Heating active
	Alarm / Service reminder		
Selection symbols:			
	Indoor temperature		Comfort mode
	Protection mode		Economy mode

Operational icons:	
	Increment, decrement OR selection
	Selection OR move to next items
	Temperature OR parameter values, and etc.
	Parameter number OR password, and etc.
	Setpoint mode (temperature only)
	Operating mode
	Setting mode

See the "Reference documentation", page 14, for information on how to select and dimension connecting cables for supply voltage and field devices.

Mounting and installation

Mount the room thermostat on a conduit box. Do not mount on a wall in niches or between bookshelves, behind curtains, above or near heat sources, or exposed to direct solar radiation. Mount about 1.5 m above the floor.



Mounting / Dismounting



- Do not apply excessive force on screws! The deformation of the mounting frame may lead to improper connections and operation of the unit.
- Mount the room thermostat on a clean, dry indoor place without direct airflow from a heating / cooling device, and not exposed to drips or water.
- Before removing the front cover, disconnect the power supply.

Wiring



See the User Manual for the installation instructions enclosed with the thermostat.

- Comply with local regulations to wire, protection and earth the thermostat.
- The device has no internal fuse for supply lines to fan and actuators. To avoid risk of fire and injury due to short-circuits, the AC 230 V mains supply line must have a circuit breaker with a rated current of no more than 10 A.
- The wiring cross section used for power supply (L, N) and 230 V outputs (Qxx - N) must be adapted to the preceding overload protection elements (max 10 A) under all circumstances. Comply under all circumstances with local regulations.
- Properly size the cables to the thermostat and valve actuators for AC 230 V mains voltage.
- Cables of SELV inputs X1-M / X2-M: Use cables with min 230 V insulation, as the conduit box carries AC 230 V mains voltage.
- Inputs X1-M or X2-M of different units (e.g. window contact) may be connected in parallel with an external switch. Consider overall maximum contact sensing current for switch rating.
- No cables provided with a metal shield.
- Disconnect from supply before opening the cover.

Commissioning notes

Before power up

No DIP switch setting is required for RDD810/NF thermostats.

Wizard function

After power up, the wizard function guides users to configure the basic parameters for normal operation according to the table below.

Touch ◀ / ▶ to advance / return to any parameter;

Touch + / - to change value.

LCD display	Parameter	Range	Factory setting
	User operating mode profile	1: comfort > protection 2: comfort > economy > protection	1
	Selection of °C or °F	0: °C 1: °F	0
	Standard display	0: Room temperature 1: Setpoint	0
	Display info line (2 nd line of LCD display)	0: --- (No display) 3: Time of day (12h) via bus 4: Time of day (24h) via bus	0
	Functionality of X1	0: --- No function 1: Ext / Return Temp (AI) 3: Window open detect (DI) 6: Fault input (DI) 7: Monitor input (Digital)	3
	Functionality of X2	8: Monitor input (Temp) 10: Presence detection (DI)	1
	Operating action of X1	Normal Open (NO) Normal Close (NC)	Normal Open (NO)
	Operating action of X2		
	-	End of wizard	-

If more details are required about parameters, refer to basic documentation P3174.

Reset

To reload factory setting for all parameters, set parameter P71 to **ON**. Restart the thermostat after reset, all LCD segments flash, indicating that the reset is correct. 3 seconds later, the thermostat is ready for commissioning by qualified HVAC staff.

Applications

RDD810/NF thermostats are for heating applications. Configure or changing parameter settings during commissioning using one of the following tools:

- Local HMI

Setting parameters using the local HMI

Service level parameters

Parameter	Name	Factory setting	Range	Resolution
	Service level			
P02	User operating mode profile (mode button)	1 = Comf - Protection	1 = Comf - Protection 2 = Comf - Econ - Protection	
P04	Selection of °C or °F	0 = °C (Degrees Celsius)	0 = °C (Degrees Celsius) 1 = °F (Degrees Fahrenheit)	
P05	Sensor calibration (intern, extern)	0 K	-5 K...+5 K	0.5 K
P06	Standard temperature display	0 = Room Temperature	0 = Room Temperature 1 = Setpoint	
P07	Display info line (2nd line of LCD)	0	0 = --- (No display) 1 = °C and °F	
P08	Comfort setpoint	21 °C	5...40 °C	0.5 K
P09	Minimum setpoint in Comfort mode	5 °C	5...40 °C	0.5 K
P10	Maximum setpoint in Comfort mode	35 °C	5...40 °C	0.5 K
P11	Economy heating setpoint	15 °C	OFF, 5...30 °C	0.5 K
P14	Keylock function	0	0 = Unlock 1 = Locked 2 = Setpoint	
P16	Buzzer function	ON = Enabled	ON = Enabled OFF = Disabled	

Note: Parameter display depends on the selected application and function.

Expert level parameters with diagnostics and test

Parameter	Name	Factory setting	Range	Resolution
	Expert level			
P30	P-band / Switching differential in heating mode	2 K	0.5...6 K	0.5 K

Parameter	Name	Factory setting	Range	Resolution
	Expert level			
P38	Functionality of X1	3 = Window open detection (DI)	0 = --- (no function) 1 = Room temp ext / Return temp (AI) 3 = Window open detection (DI) 6 = Fault input (DI) 10 = Presence detection (DI)	
P39	Operating action of X1 if digital input	0 = Normally open / Open	0 = Normally open / Open 1 = Normally closed / Close	
P40	Functionality of X2	1 = Room temp ext / Return temp (AI)	0 = --- (no function) 1 = Room temp ext / Return temp (AI) 3 = Window open detection (DI) 6 = Fault input (DI) 10 = Presence detection (DI)	
P41	Operating action of X2 if digital input	0 = Normally open / Open	0 = Normally open / Open 1 = Normally closed / Close	
P48	Minimum output on time 2-position control output	1 min.	1...20 minutes	1 min.
P49	Minimum output off time 2-position control output	1 min.	1...20 minutes	1 min.
P51	Floor heat limit temperature	OFF	OFF, 10..50 °C	1 K
P65	Protection heating setpoint	8 °C	OFF, 5 ... WcoolPro; WcoolPro = 40 °C max	0.5 K
P69	Temporary setpoint comfort (see also comfort basic setpoint)	OFF = Disabled	OFF = Disabled ON = Enable	
P71	Reload factory setting	OFF = Disabled	OFF = Disable ON = Reload factory setting Reload starts only after exits parameter mode.	
P77	Presence Detector Mode	1: Standard Presence Mode	1: Standard Presence Mode 2: Hotel Presence Mode	

Parameter	Name	Factory setting	Range	Resolution
	Diagnostics and test			
d01 ¹⁾	Application no	Diagnose	H	
d02	X1 status	Diagnose (display values according to the selected function of X1: DI, AI, HC changeover, etc)	0 = Not activated (for DI) 1 = activated (DI) 0...49 °C = cur. temp. value (for AI)	
d03	X2 status	Diagnose (display values according to the selected function of X1: DI, AI, HC changeover, etc)	0 = Not activated (for DI) 1 = activated (DI) 0...49 °C = cur. temp. value (for AI)	0.5 K
d07	Host software version Show Ux.xx			

1) d01 shows H meaning heating.

Control parameters	<p>The thermostat's control parameters can be set to ensure optimum performance of the entire system (refer to basic documentation P3174).</p> <p>The parameters can be adjusted using</p> <ul style="list-style-type: none"> – Local HMI <p>For commissioning via local HMI, refer to user manual B3174... for setting the passwords.</p>
Control sequence	<ul style="list-style-type: none"> • Only heating sequence is available.
Calibrate sensor	<ul style="list-style-type: none"> • Recalibrate the temperature sensor if the room temperature displayed on the thermostat does not match the room temperature measured (after min. 1 hour of operation). To do this, change parameter P05.
Setpoint and range limitation	<ul style="list-style-type: none"> • We recommend to review heating setpoint and their range limitation via parameters P08...P11. If necessary, adjust them to achieve maximum comfort and save energy.

Disposal




The device is considered electrical and electronic equipment for disposal in terms of the applicable European Directive and may not be disposed of as domestic garbage.

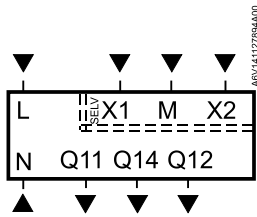
- Dispose of the device through channels provided for this purpose.
- Comply with all local and currently applicable laws and regulations.

Technical data

⚠ Power supply	Rated voltage	AC 230 V
	Overvoltage category	III
	Frequency	50/60 Hz
	Power consumption	Max. 6.0 VA / 2.1 W
Caution ⚠	No internal fuse. External preliminary protection with max C 10 A circuit breaker required in all cases.	
	<hr/>	
Outputs	Control output Q11, Q12, Q14 (SPDT)	AC 24...230 V
	Rating Min, Max resistive (inductive)	Min. 10 mA, Max. 5(2) A
Caution ⚠	No internal fuse. External preliminary protection with max C 10 A circuit breakers in the supply line (Q11) required in all cases.	
	<hr/>	
Inputs	Multifunctional input X1-M/X2-M	
	Temperature sensor input:	
	Type	See "Equipment combinations"
	Temperature range	0...49 °C
	Cable length	Max. 80 m
	Digital input:	
	Operating action	Selectable (NO / NC)
	Contact sensing	SELV DC 0...5 V / Max. 5 mA
	Parallel connection of several thermostats for one switch	Max. 20 thermostats per switch
	Insulation against mains voltage (SELV)	4 kV, reinforced insulation
Function of inputs:		Selectable
External temperature sensor, window contact, presence detection, fault contact, monitoring input		X1: P38 X2: P40
Operational data	Switching differential, adjustable	
	Heating mode	(P30) 2 K (0.5...6K)
	Setpoint setting and range	
	☀ Comfort	(P08) 21 °C (5...40 °C)
	⌚ Economy	(P11) 15 °C (OFF, 5...40 °C)
	⏸ Protection	(P65) 8 °C (OFF, 5...40 °C)
	Multifunctional input X1/X2	
	Input X1 default value	(P38) 3 (Window open detection (DI))
	Input X2 default value	(P40) 1 (Room temp ext / Return temp (AI))
	Built-in room temperature sensor	
	Measuring range	0...49 °C
	Accuracy at 25 °C	< ± 0.5 K
	Temperature calibration range	± 5.0 K
	Settings and display resolution	
	Setpoints	0.5 °C
Current temperature value displayed	0.5 °C	

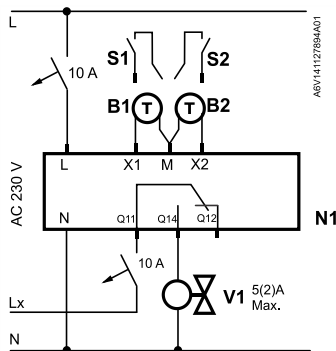
Environmental conditions	Storage	As per IEC 60721-3-1
	Climatic conditions	Class 1K3
	Transport	As per IEC 60721-3-2
Standards and directives	Climatic conditions	Class 2K3
	Operation	As per IEC 60721-3-3
	Climatic conditions	Class 3K5 ¹⁾
Standards and directives	EU Conformity (CE)	8000078258_xx ^{*)}
	Electronic control type	2.B (micro-disconnection on operation)
	 RCM conformity to EMC emission standard	AS/NZS 61000-6-3
	Safety class	II as per EN 60730
	Pollution class	Normal
	Degree of protection of housing	IP 30 as per EN 60529
	Housing flammability class according to UL94	V-0
Environmental compatibility	The product environmental declaration E3174en contains data on environmentally compatible product design and assessments (RoHS compliance, materials composition, packaging, environmental benefit, disposal).	
General	Connection terminals	Solid wires or prepared stranded wires
		1 x 0.4...1.5 mm ²
	Minimal wiring cross section on L, N, Qxx	Min 1.5 mm ²
	Housing front color	Ivory White
	Weight without / with packaging	0.145 kg / 0.245 kg
^{*)} The documents can be downloaded from http://siemens.com/bt/download . ¹⁾ No condensation is allowed.		
Reference documentation	Handbook for Home and Building Control - Basic Principles (https://my.knx.org/shop/product?language=en&product_type_category=books&product_type=handbook)	
	Desigo	CM1Y9775 Desigo RXB integration – S-mode CM1Y9776 Desigo RXB / RXL integration – individual addressing CM1Y9777 Third-party integration

Connection terminals



- L, N Operating voltage AC 230 V
 Q11, Q12 NC contact (for NO valves)
 Q11, Q14 NO contact (for NC valves)
 X1, X2 Multifunctional input for temperature sensor or potential-free switch
 Factory setting:
 – X1 = Window contact
 – X2 = External sensor
 (function can be selected via parameter P38 / P40)
 M Measuring neutral for sensor and switch

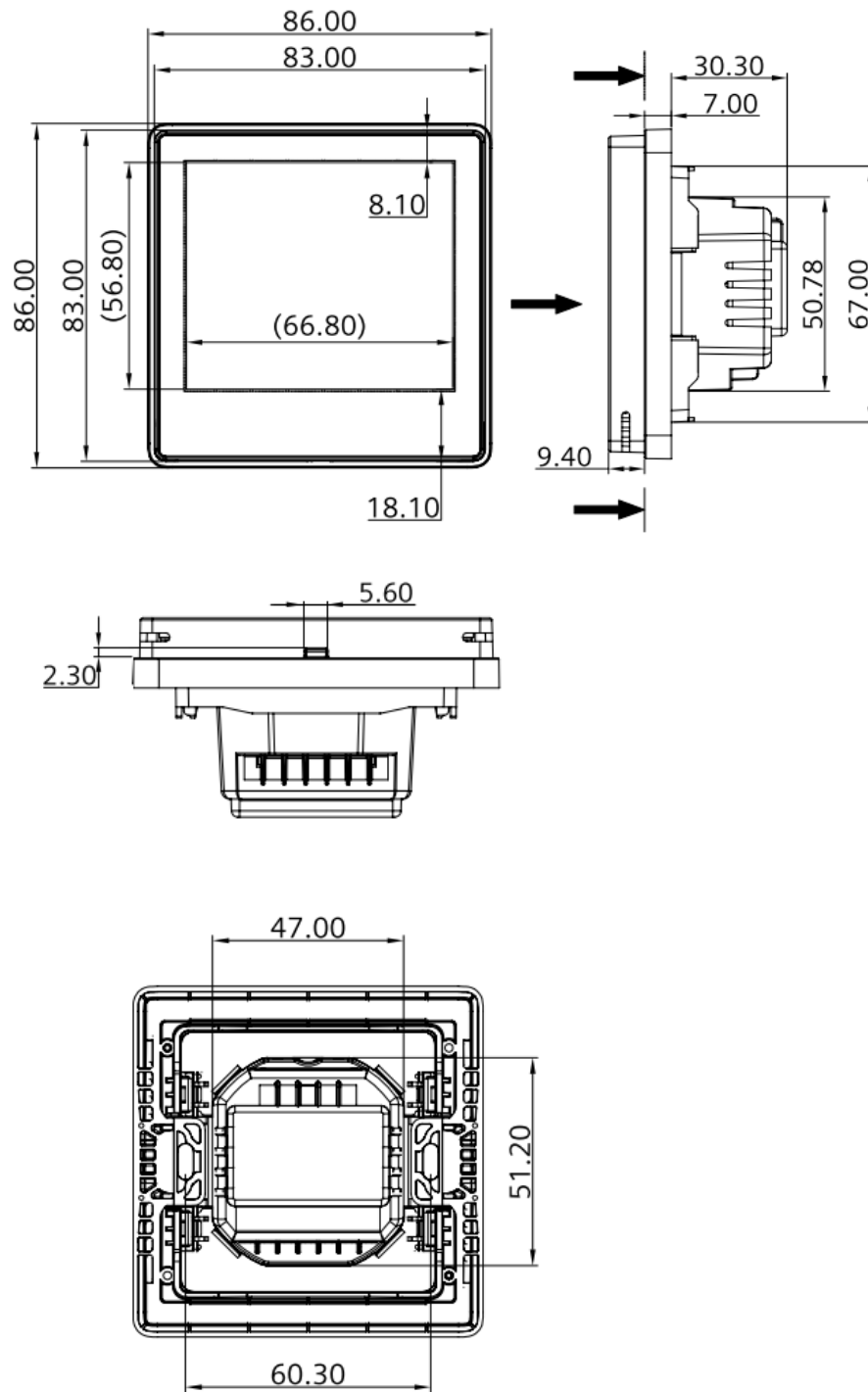
Connection diagrams



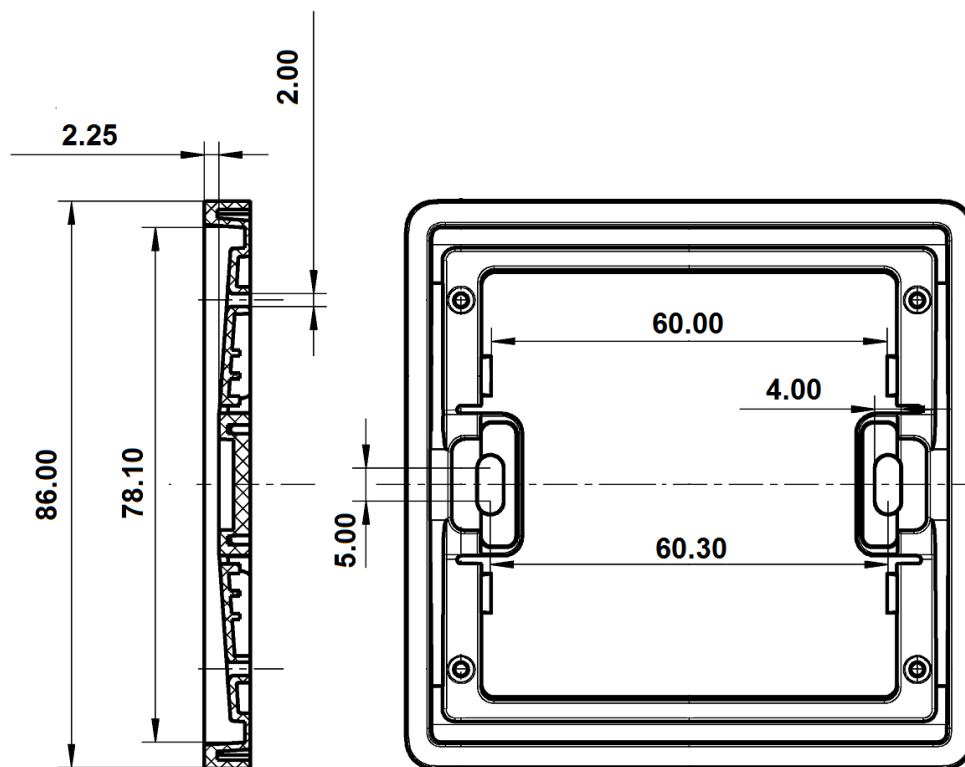
- N1 Room thermostat
 V1 Valve actuator
 Lx AC 24...230 V
 S1, S2 Switch (keycard, window contact, presence detector, etc.)
 B1, B2 Temperature sensor (return air temperature, external room temperature, changeover sensor, etc.)

Dimensions (mm)

RDD810/NF
for square conduit
boxes only



ARG800.1 single
mounting frame for
RDD810/NF



Issued by
Siemens Switzerland Ltd
Smart Infrastructure
Global Headquarters
Theilerstrasse 1a
CH-6300 Zug
Tel. +41 58 724 2424
www.siemens.com/buildingtechnologies
18 / 18

© Siemens Switzerland Ltd, 2019
Technical specifications and availability subject to change without notice.