

Flange filter 6380

Backwash filter made of gunmetal with flange connection

2



Field of application

The flange filter 6380 is a semi-automatic backwash filter complying with the German standard DIN 13443-1, which is intended for industrial and commercial installations. It is predominantly

designed for potable water systems and protects downstream valves and machines against dirt. The filter is not suitable for self-supplying installations.

Design

The flange filter consists of a mechanical semi-automatic backwash filter made of stainless steel. A downstream pressure gauges can be connected to the flange filter. It is equipped with a rotatable

maintenance indicator. The filter can be retrofitted with a differential pressure switch (6380.00.901) and an automatic backwash system (2316.00.030).

6380 Flange filter

Materials

The body and the assembly nut are made of a low-lead dezincification-resistant gunmetal alloy. All materials are tested and approved by internationally recognised test institutes in Germany (DVGW and TZW). All synthetic parts getting into contact with water are approved by the

German Public Health Office (KTW). Especially the corrosion resistance is guaranteed for all materials used. All rubber parts are made of ageing-resistant elastomer. The diaphragm is reinforced and the highly resistant screw cap is made of glass-fibre reinforced synthetic material.

Installation

The connection size depends on the required flow rate. The device can be mounted either in vertical

or horizontal position. The filter has to be installed directly behind the water meter.

Thoroughly rinse the pipe prior to installation. Mount the flange filter under consideration of the direction of flow (see arrow on the body) without applying stresses. Rotate the filter's lower part until the backwash knob and the ring-shaped

maintenance indicator become visible. A minimum distance of 310 mm between the tundish's lower edge and the bottom is required for disassembling the filter cap.

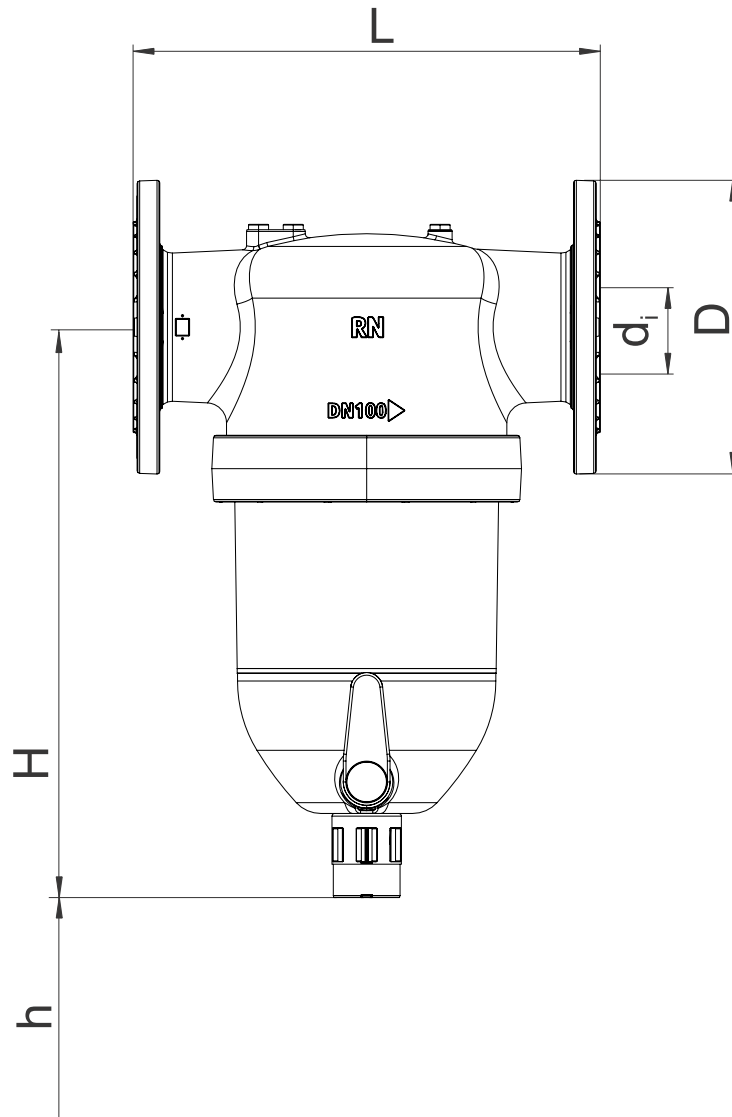
Technical specifications

Service pressure:	min. 2 bar, max. 16 bar
Service temperature:	max. 30 °C
Mounting position:	main axis: vertical
Medium:	potable water
Mesh width:	90 µm
Flow rate:	DN 65: 27 m ³ /h at 0.2 bar Δp DN 80: 30 m ³ /h at 0.2 bar Δp DN 100: 37 m ³ /h at 0.2 bar Δp DN 65: 46 m ³ /h at 0.5 bar Δp DN 80: 50 m ³ /h at 0.5 bar Δp DN 100: 56 m ³ /h at 0.5 bar Δp
Serial number:	6380 ...

Maintenance

When the flow rate is reduced due to increased pressure loss, but every 2 months at the latest, the filter has to be serviced by backwashing. As a reminder of the next service, set the maintenance indicator below the filter to the required date. This

backwash operation can be carried out automatically when retrofitting the device with the automatic backwash system, which is battery-powered and easy to install.



Nominal size		DN 65	DN 80	DN 100
Dimensions in mm	L (mm)	290	310	350
	H (mm)	428	428	428
	h (mm)	at least 310 mm		
	D (mm)	185	200	224
	d _i (mm)	67	80	100

6380 Flange filter

Components / Order numbers

①

Filter element

6380.00.910

125µm

6380.00.911

240µm

