

# Drufi+ DFF 2315

Cartridge filter with pressure reducing valve and Memoryclip

2



## Field of application

SYR Drufi+ DFF is a valve combination specially designed for installation at the domestic point of entry. It includes a cartridge filter and a pressure reducing valve in accordance with the European standard EN 1567. The Drufi+ DFF has undergone acoustic testing and is suited for installation in residential buildings.

The integrated construction form results in a compact unit, so that installation is possible even in confined spaces.

Use the Drufi flange programme for installation in the pipe. The flanges can be mounted in vertical and horizontal pipework. The integral pressure-reducing valve allows water-saving pressure setting.

## Design

The Drufi+ DFF is composed of a cartridge filter with filtering elements made of synthetic material. It also includes a flange seal, hexagon socket screws for the flange assembly, an assembly key for the hexagon socket screws and a filter cap key for the filter maintenance. The pressure reducer

insert is factory-set to an outlet pressure of 4 bar, the external adjustment ring allowing individual pressure setting ranging between 1.5 and 6 bar. The Drufi+ DFF is also equipped with an outlet pressure manometer.

## Materials

The filter cap is made of high-quality synthetic material. The body and the internal synthetic parts are made of shock-resistant thermoplast, the rubber parts of ageing-resistant elastomer. All remaining functional parts are made of a low-lead dezincification resistant gunmetal alloy or stainless steel. The ring seals are made of asbestos-free fibre. All mate-

rials are tested and certified by an internationally recognised test institute in Germany (DVGW). All synthetic components getting in contact with water designed for human consumption are approved by the German Public Health Office (KTW).

## Installation

It is recommended to install a filter in a drinking water system to protect it against corrosion and many applications require pressure reducing valves. Both valves shall be installed directly behind the water metering system and be easily accessib-

le. In the Drufi+ DFF, the filter is located upstream of the pressure reducing valve in order to protect the latter.

Thoroughly flush the pipework prior to installation. Use filtered water from the first onset of the drinking water installation. Always use a flange to mount the Drufi+ DFF, which allows installation in vertical and horizontal pipes. The main axis of the filter has to be vertical. Install the suitable flange

in the pipework without applying stresses. Attach it to the filter body with 4 stainless steel screws; pull them pressure-tight crosswise with the key included in the delivery.

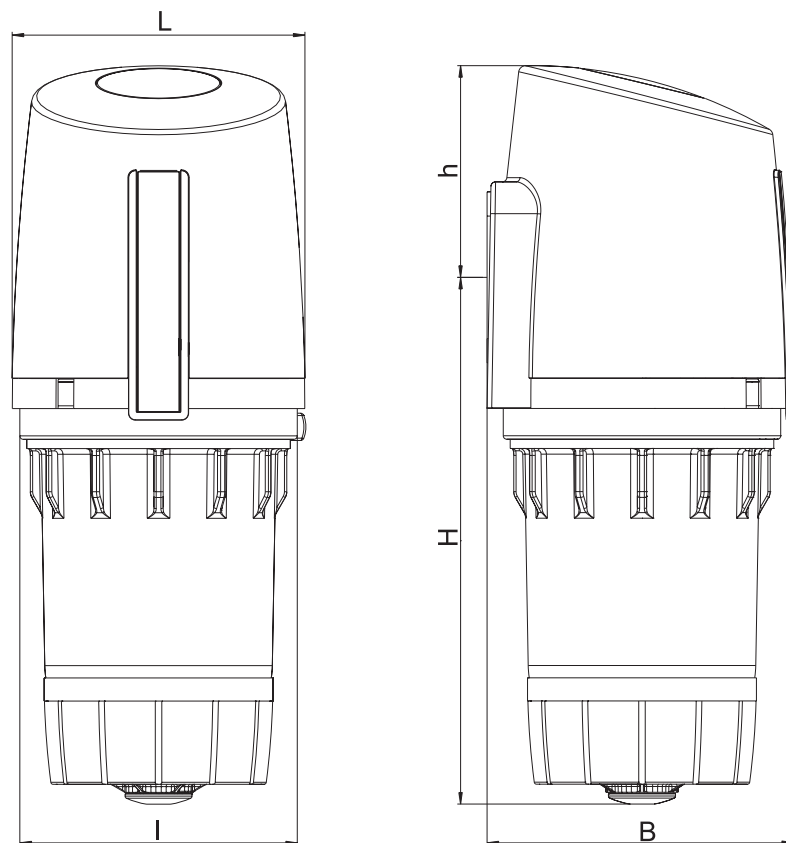
## Technical data

Operating pressure:	min. 2 bar, max. 16 bar
Operating temperature:	max. 30 °C
Mounting position:	main axis vertical
Fluid:	potable water
Mesh width:	90 µm
ABP-No.:	P-IX 6952/I
Flow rate capacity:	DN 20: 2.3 m <sup>3</sup> /h at 1.1 bar Δp DN 25: 3.6 m <sup>3</sup> /h at 1.1 bar Δp DN 32: 5.8 m <sup>3</sup> /h at 1.1 bar Δp
Serial number:	2315.00.082

## Maintenance

Make a visual inspection every 2 months to check if impurities have accumulated on the filter material. When the flow rate is reduced due to increased pressure loss, but every 6 months at the latest, cartridge maintenance is due and the filter material has to be exchanged. When the filter has been exchanged, set the maintenance indicator by means of the slide to the month of the next maintenance

interval. No special tools are required for the filter exchange. A filter cap key designed to loosen the filter cap is included in the delivery. Use the adjustment ring to set the pressure reducing valve at static pressure to the desired pressure range between 1.5 and 6 bar.



Nominal size	DN 20 - DN 32	
	A	G 3/4" - 1 1/4"
Dimensions	H (mm)	228
	h (mm)	92
	L (mm)	127
	I (mm)	120
	B (mm)	135

## Components / Order numbers

- ①  
**Cover**  
2315.01.919
- ②  
**Clip**  
2315.01.910
- ③  
**Pressure gauge**  
2315.01.920
- ④  
**Valve body**  
2315.01.918
- ⑤  
**Filter material for replacement  
(5 pieces)**  
2000.25.900
- ⑥  
**Pressure reducer cartridge**  
2315.01.925
- ⑦  
**O-Ring filter cap**  
2315.01.922
- ⑦  
**Filter cap**  
2315.01.916

