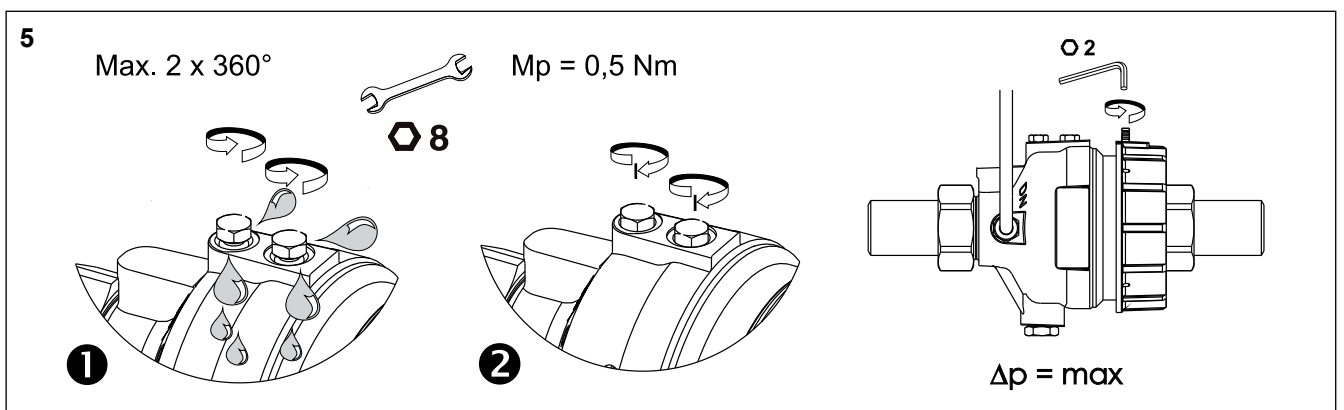
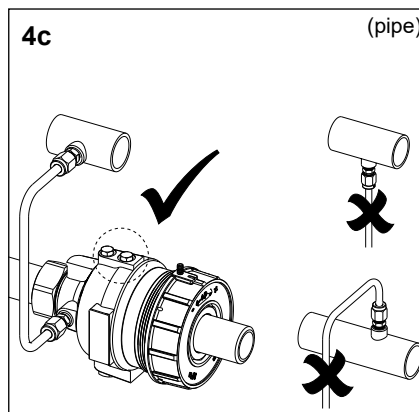
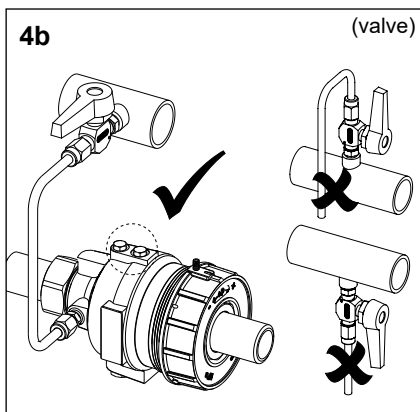
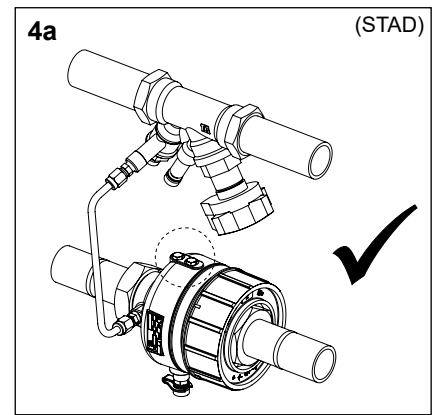
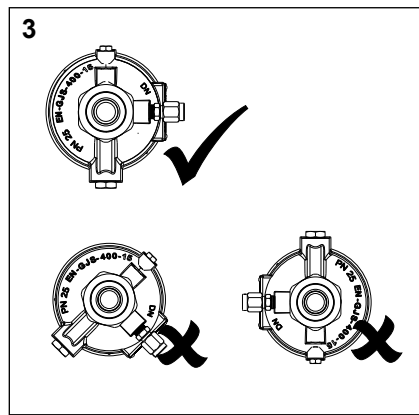
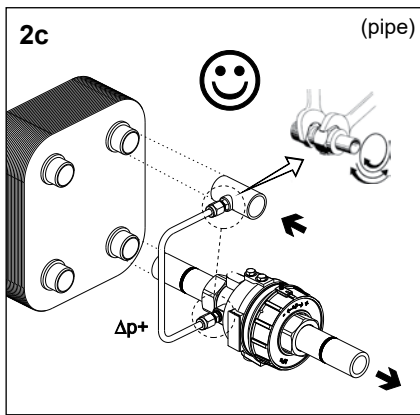
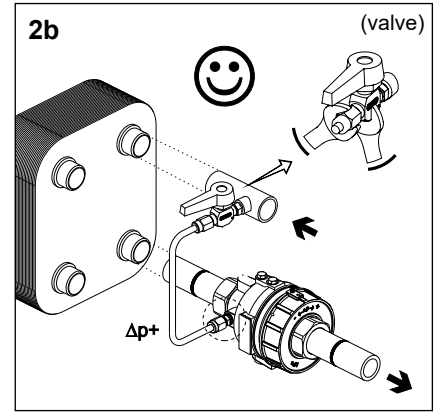
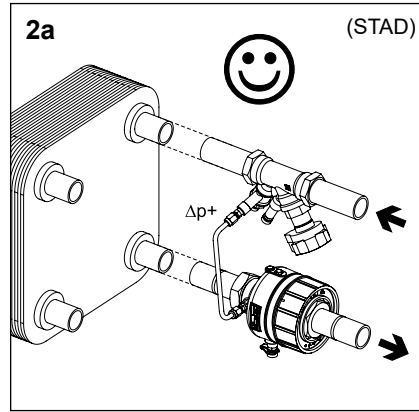
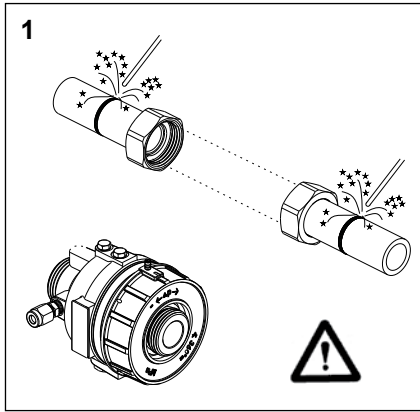


IMI TA

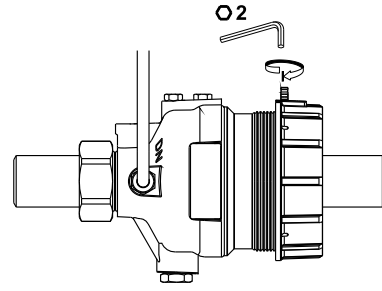
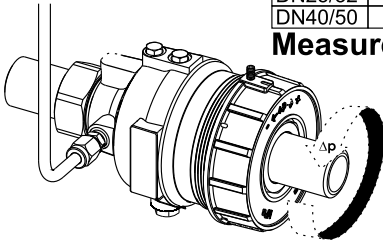
DA 516 – DN 15-50



6

	Number of turns	Δp [kPa] change per turn of setting nut			
		5 - 30	10 - 60	10 - 100	60 - 150
DN15/20	10	2,6	5,1	9,3	9,3
DN25/32	14	1,8	3,6	6,6	6,6
DN40/50	15	1,7	3,3	6,0	6,0

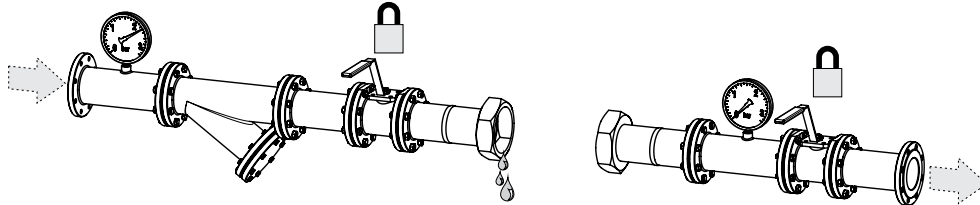
Measure flow & adjust Δp accordingly



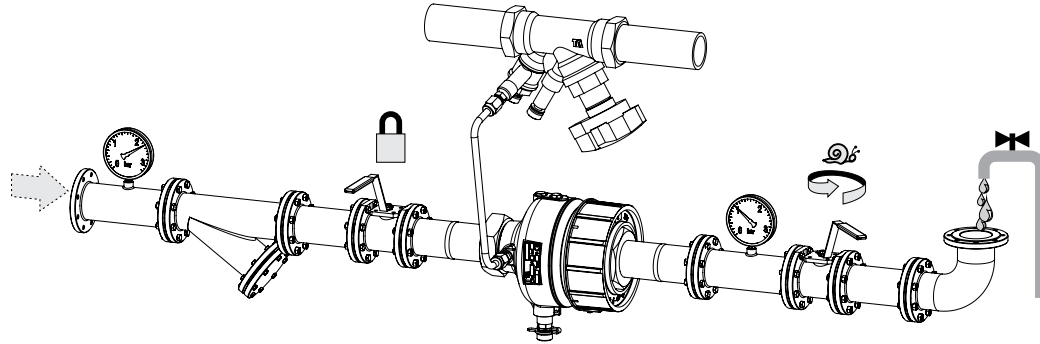
$\Delta p = \checkmark$

Start-up

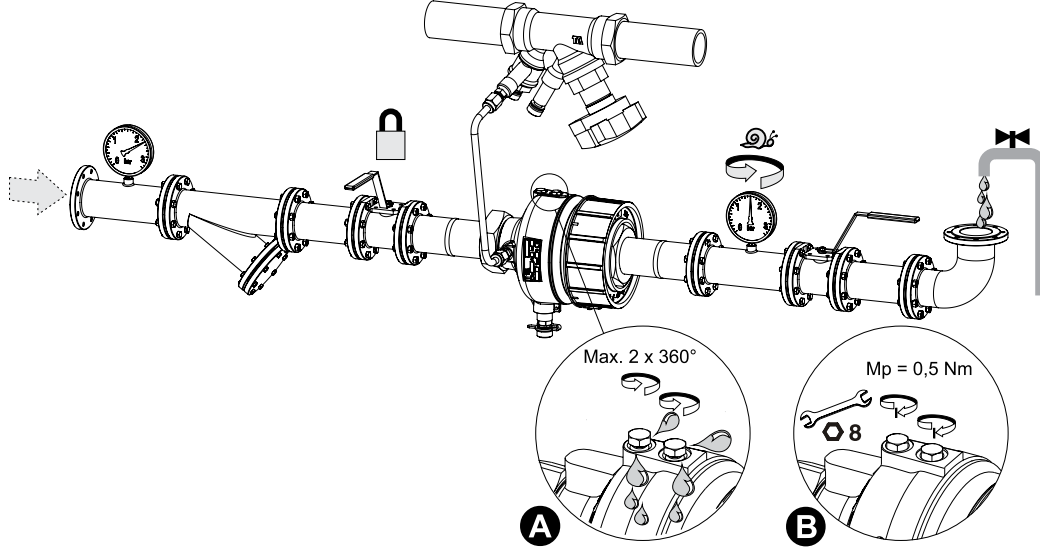
1



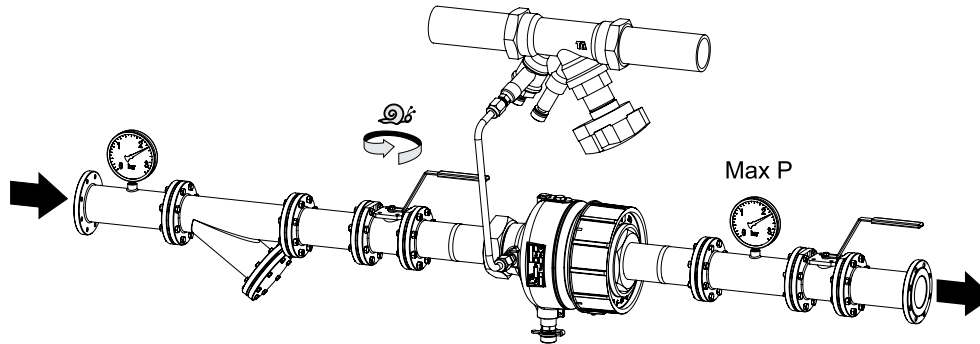
2



3



4



Max P



We reserve the right to introduce technical alterations without previous notice.

climatecontrol.imiplc.com