



Non spring return plant valve actuators

VA9300

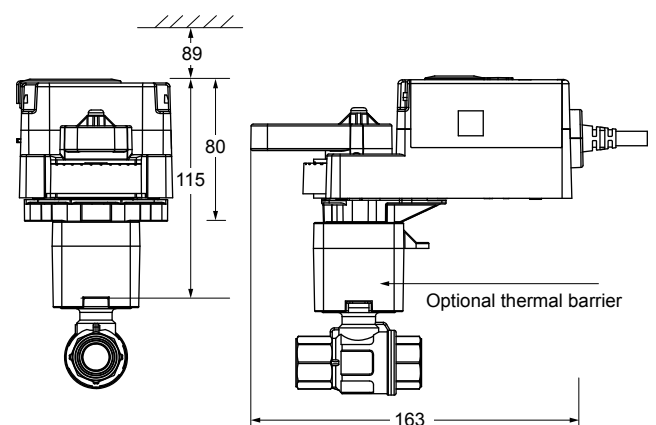
(Joventa BMS1.10 / BAS2.10 / BASx.08x)

*8 and 10 Nm, ON/OFF, floating and proportional control
Rotary actuators for ball valves*

The VA9300 Series Electric Non Spring Return Actuators are used to provide accurate positioning on Johnson Controls® VG1000 Series DN15 up to DN50 ball valves in Heating, Ventilating and Air Conditioning (HVAC) applications.

Features

- ▶ Universal model: On/Off, floating and proportional
- ▶ High speed actuator model
- ▶ Optional Auxiliary Switch & potentiometer feedback
- ▶ Direct-Coupled Design
- ▶ Rugged IP54 Rated Enclosure
- ▶ Electronic stall detection
- ▶ Microprocessor-controlled Brushless DC Motor



Dimensions in mm

Non spring return plant valve actuators

VA9300

(*Joventa BMS1.10 / BAS2.10 / BASx.08x*)

Ordering information

| Codes | | Running time | Control signals | Supply voltage (50/60Hz) |
|------------------|----------|--------------|-----------------------------------|--------------------------|
| Johnson Controls | Joventa | | | |
| VA9310-HGA-1 | BMS1.10 | 35 s | ON/OFF, Floating and Proportional | 24 VAC/DC |
| VA9310-AUA-1 | BAS2.10 | 35 S | ON/OFF and Floating | 85 to 264 VAC |
| VA9308-AGA-1Z | BAS1.08Z | 8 s | ON/OFF and Floating | 24 VAC/DC |
| VA9308-AUA-1Z | BAS2.08Z | 8 s | ON/OFF and Floating | 85 to 264 VAC |

Accessories (order separately)

| Codes | Description |
|-----------|--|
| M9300-1 | Auxiliary switch kit (Single pole, double-throw) |
| M9300-2 | Auxiliary switch kit (Two single pole, double-throw) |
| M9300-140 | Feedback potentiometer 140 ohms |
| M9300-1k | Feedback potentiometer 1k ohms |
| M9300-2k | Feedback potentiometer 2k ohms |
| M9300-10k | Feedback potentiometer 10k ohms |
| M9000-200 | Commissioning tool that provides a control signal to drive 24 V ON/OFF, floating, proportional and resistive electric actuators (quantity 1) |
| M9000-342 | Weather shield kit for VG1000 series ball application of VA9104, VA9310, VA9203 and VA9208 series electric Non spring return actuators (quantity 1) |
| M9000-561 | Thermal barrier kit. Extends the VA9104, VA9310, VA9203 and VA9208 series electric Non spring return actuators applications to include low pressure steam (quantity 1) |
| M9300-100 | Threaded conduit adapters for 1/2 in. electrician's fittings |