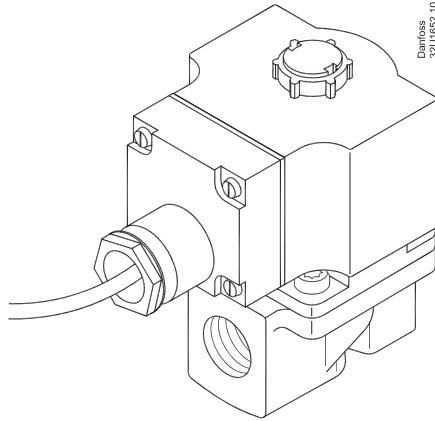
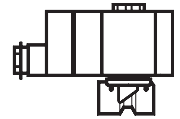
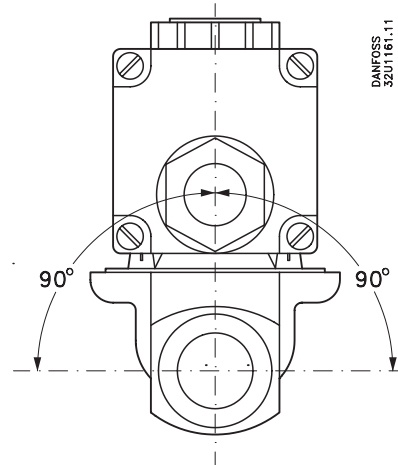


Proportional solenoid valve, type EV260B 6B - 20B without signal converter

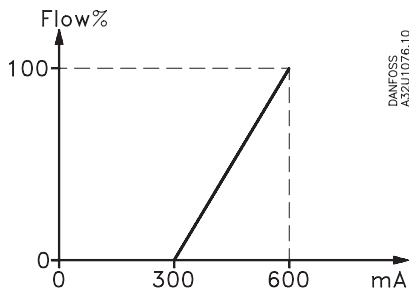


DANFOSS
32U1652.10



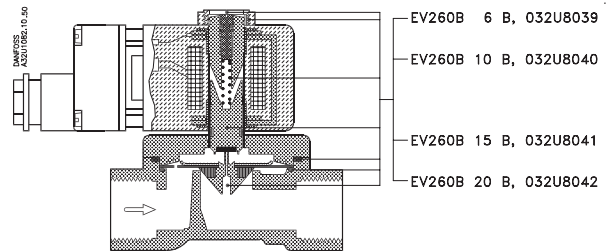
DANFOSS
32U1161.11

Valve	Code no.	Coil
EV260B 6B, G ¼	032U8052	018Z6987 type BK024D (without signal converter)
EV260B 6B, G ⅜	032U8053	
EV260B 10B, G ⅜	032U8054	
EV260B 10B, G ½	032U8055	
EV260B 15B, G ½	032U8056	
EV260B 20B, G ¾	032U8057	



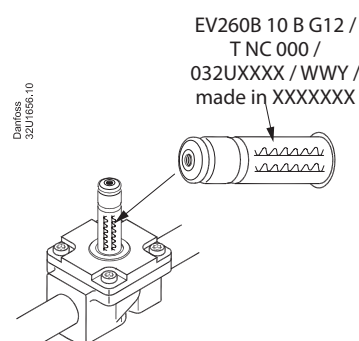
- Forsyningsspænding: 24 V d.c.
(dobbeltenstrettet, uglattet a.c.)
- Supply voltage: 24 V d.c.
(full-wave rectified unsmoothed a.c.)
- Versorgungsspannung: 24 V d.c.
(dobbelgleichgerichtete, ungeglättete a.c.)
- Tension d'alimentation: 24 V c.c.
(c.a. à deux alternances redressées, non lissé)

Proportional solenoid valve, Type EV260B Spare parts

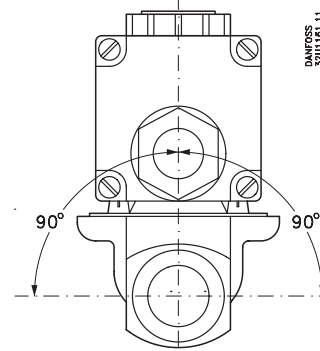
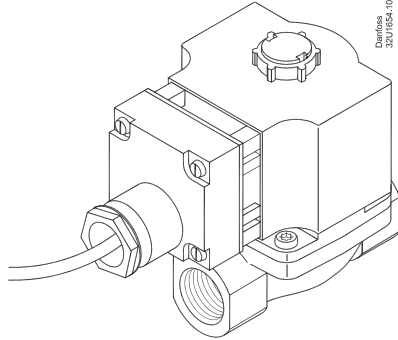
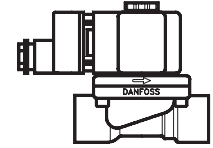


Signalomsætter incl. spole Signal converter with coil Signalwandler mit Spule Convertisseur de signaux avec bobine

Type	Styreenhed Control signal	Best. nr. Code no.
Type	Steuersignal	Best.- Nr.
Type	Signal de commande	N° de code
ESIC (BM024D)	0,5 → 10 V	018Z0290
ESIC (BL024D)	4 → 20 mA	018Z0291



Proportional solenoid valve, type EV260B 6B - 20B with signal converter, type ESIC

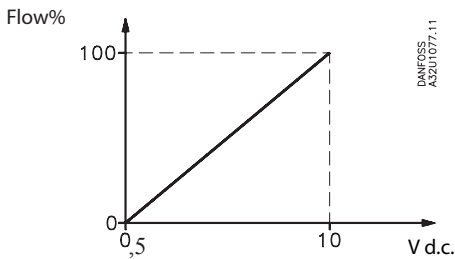


Pilot signal 0 - 10 V

Valve	Code no.	Coil
EV260B 6B, G ¼	032U8052	018Z0290 type BM024D (inkl./incl./mit/avec signal converter)
EV260B 6B, G ⅜	032U8053	
EV260B 10B, G ⅜	032U8054	
EV260B 10B, G ½	032U8055	
EV260B 15B, G ½	032U8056	
EV260B 20B, G ¾	032U8057	

Pilot signal 4 - 20 mA

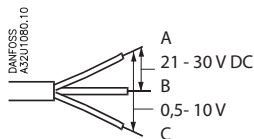
Valve	Code no.	Coil
EV260B 6B, G ¼	032U8052	018Z0291 type BL024D (inkl./incl./mit/avec signal converter)
EV260B 6B, G ⅜	032U8053	
EV260B 10B, G ⅜	032U8054	
EV260B 10B, G ½	032U8055	
EV260B 15B, G ½	032U8056	
EV260B 20B, G ¾	032U8057	



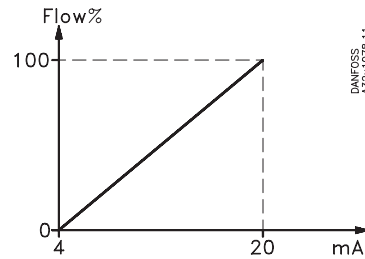
- A
 Blå (neutral) fælles nul
 Blue (neutral) common neutral
 Blau (neutral) Sammel Null
 Bleu (neutre) commun

- B
 Brun
 Brown
 Braun
 Brun

- C
 Sort
 Black
 Schwartz
 Noir



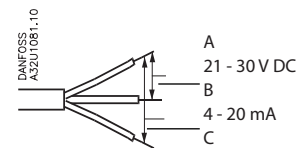
Gul / grøn ledning bruges ikke
 Yellow / green lead not used
 Die gelb / grüne Leitung wird nicht verwendet
 Jaune / vert: fil disponible



- A
 Blå (neutral) fælles nul
 Blue (neutral) common neutral
 Blau (neutral) Sammel Null
 Bleu (neutre) commun

- B
 Brun
 Brown
 Braun
 Brun

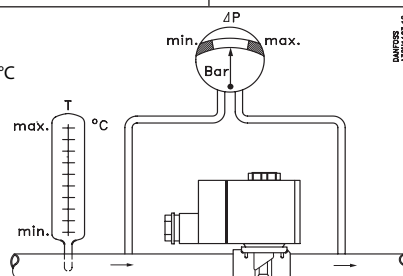
- C
 Sort
 Black
 Schwartz
 Noir



Gul / grøn ledning bruges ikke
 Yellow / green lead not used
 Die gelb / grüne Leitung wird nicht verwendet
 Jaune / vert: fil disponible

T: -25 → 50 °C

T: -10 → 80 °C



Δp

EV260B 6B	0.5 → 10 bar
EV260B 10B	0.5 → 10 bar
EV260B 15B	0.5 → 10 bar
EV260B 20B	0.5 → 10 bar