

ACTUATOR MR6



Technical Data

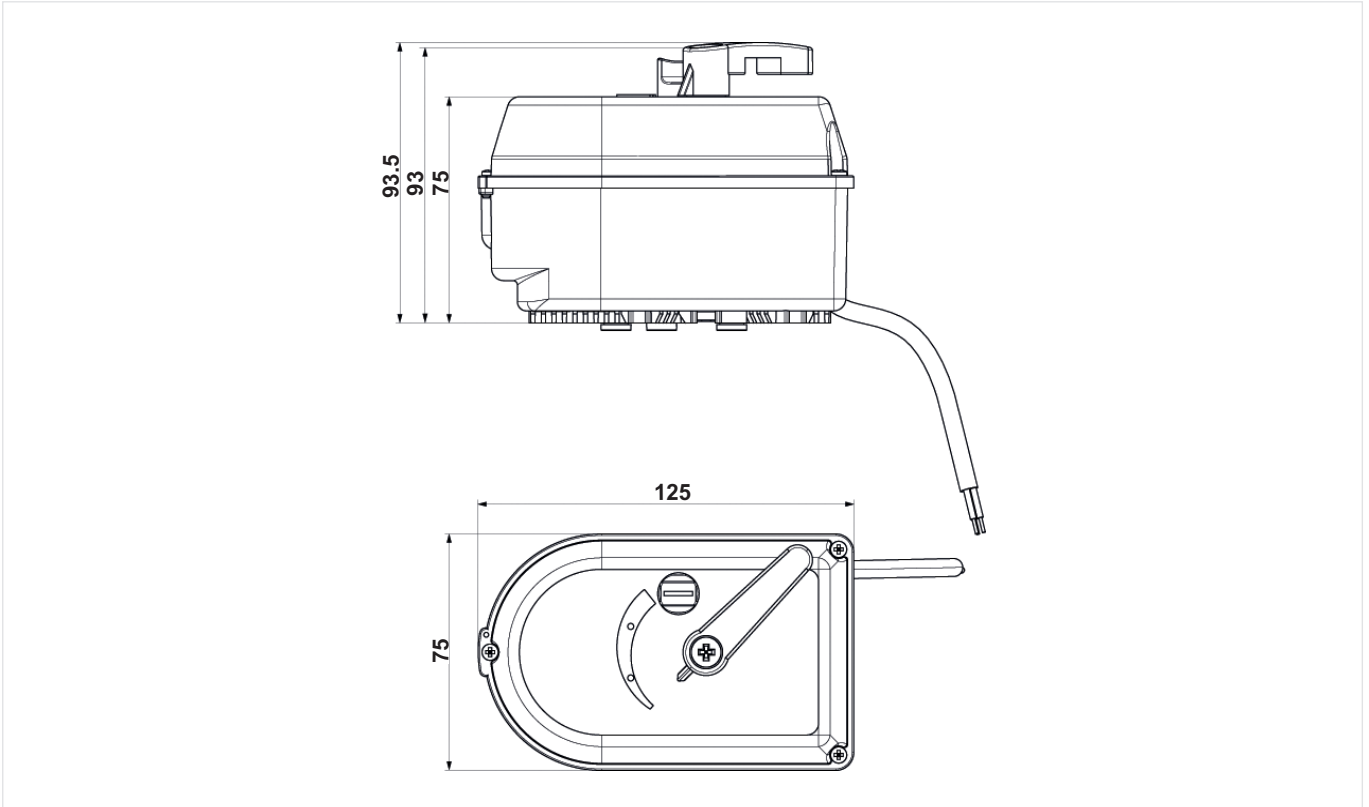
Operating temperatures	
Ambient temperature:	1°C...+55°C
Media temperature :	+2°C +110°C
Specifications	
Actuator type:	Rotary actuator for VBG6
Power supply:	24 VAC +/-15 %, 50Hz
Control signal:	ON/OFF (MR6-24-2POS); modulating (MR6-24-010)
Power consumption:	see "Actuator types"
Nominal torque:	8 Nm
Operating humidity range:	0 %...80 %, non-condensing
Runtime:	75 sec/90°
Nominal operation angle:	90°
Cable specification:	1 m fixed cable, 3x0.5 mm ² ; crimped
IP Rating / Protection degree:	IP44
Environmental conditions:	For use in home (residential, commercial, and light-industrial) environments
Protection class:	II
Approvals:	CE

ORDERING INFORMATION

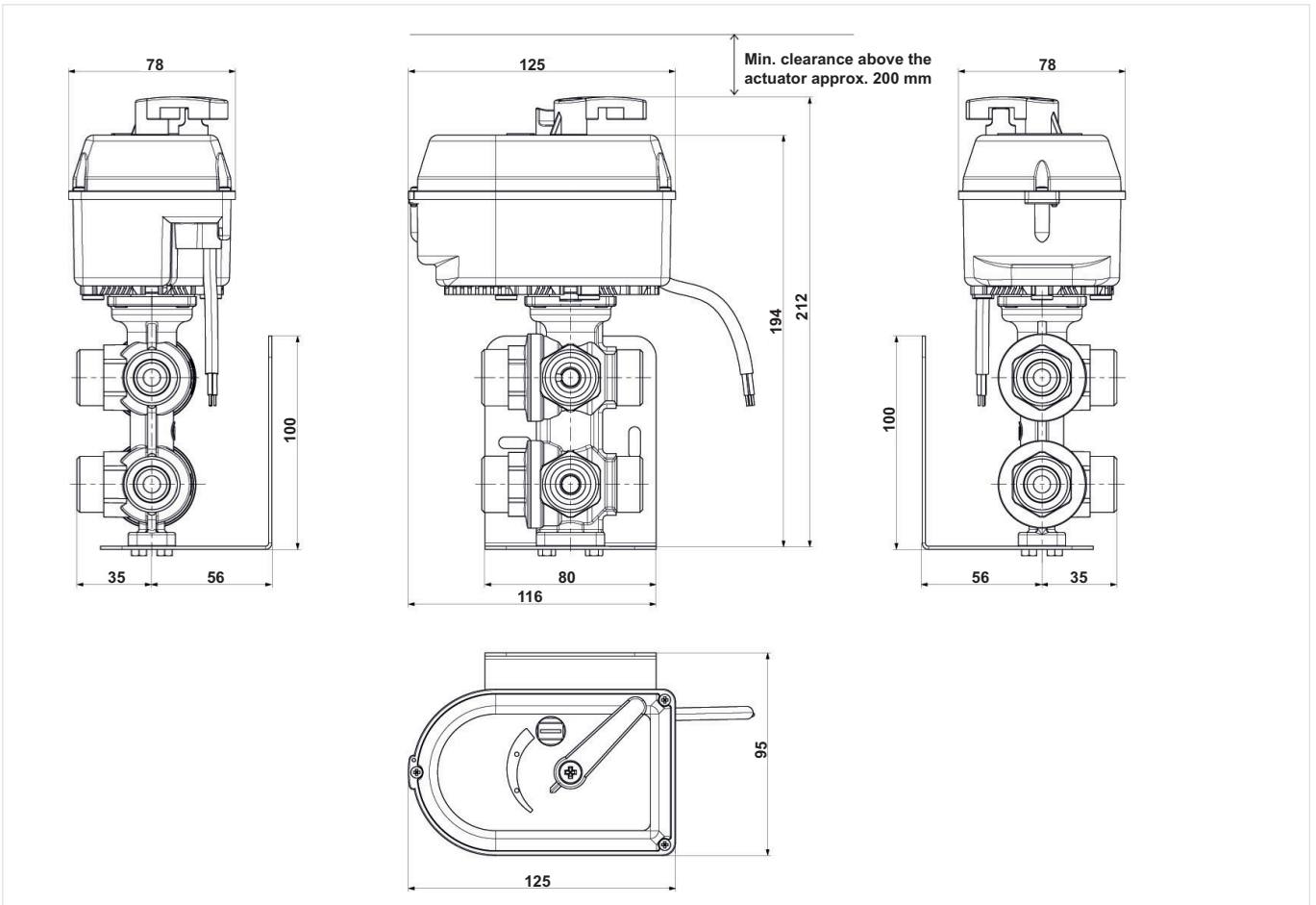
Options

O.S. no.	Power Supply	Control Signal	Power consumption			Cable
			Driving		Holding	
			W	VA	W	
MR6-24-2POS	24 VAC ±15%; 50 Hz	on/off	3.0	3.0	relay ON 0,6W relay OFF 0W	3 x 0,5 mm ² 1m length
MR6-24-010	24 VAC ±15%; 50 Hz	modulating 0 - 10 VDC, 4 - 20mA Input impedance: 26kΩ (position signal Y)	2.5	2.5	0.3	4 x 0,5 mm ² 1m length

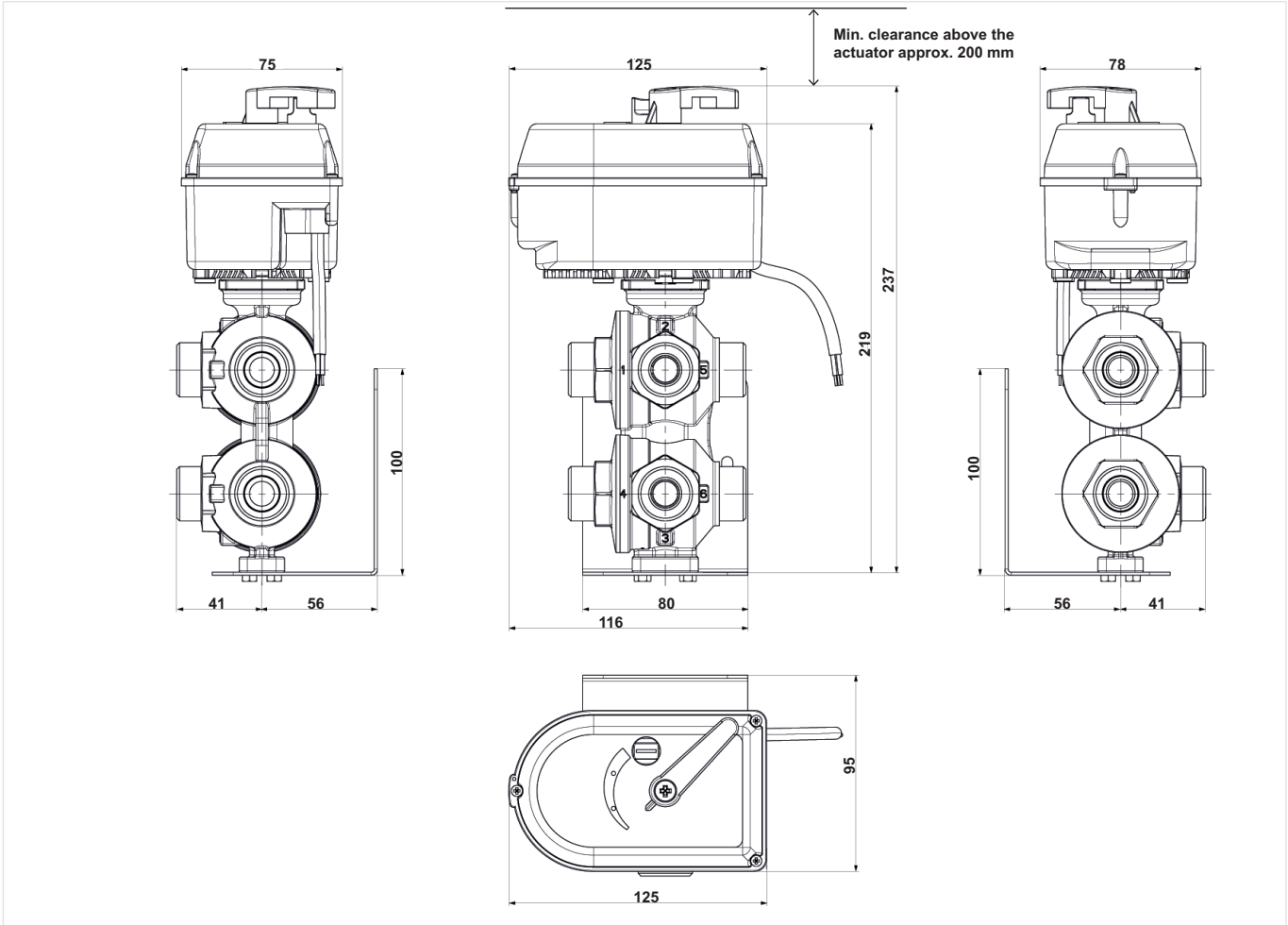
DIMENSIONS



MR6 with VBG6-15



MR6 with VBG6-20/20HF

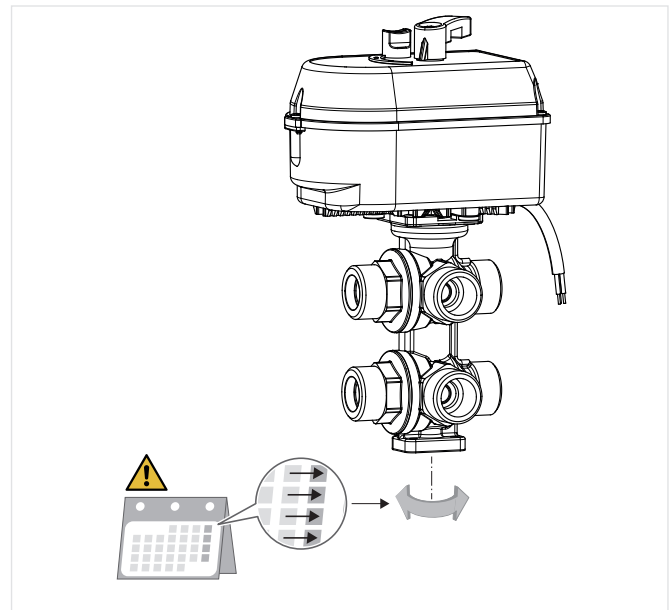
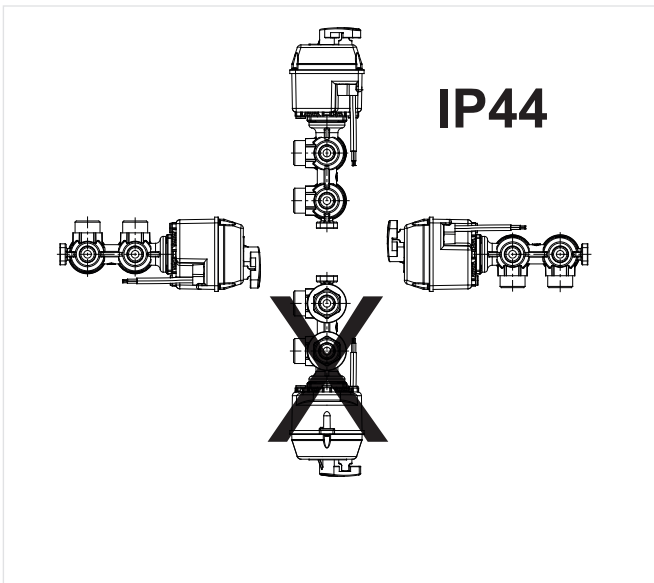


INSTALLATION GUIDELINES

Mounting

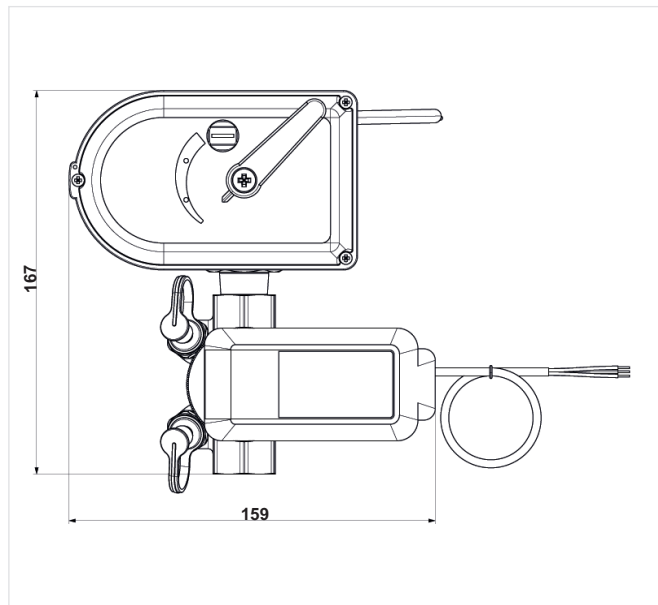
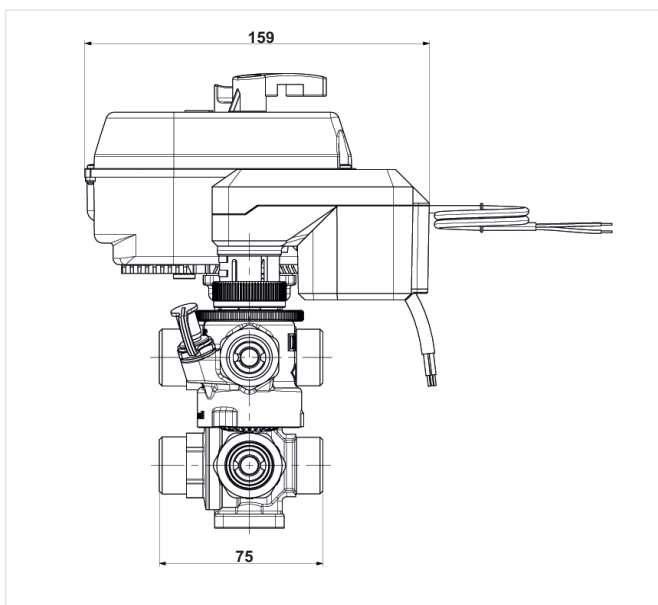
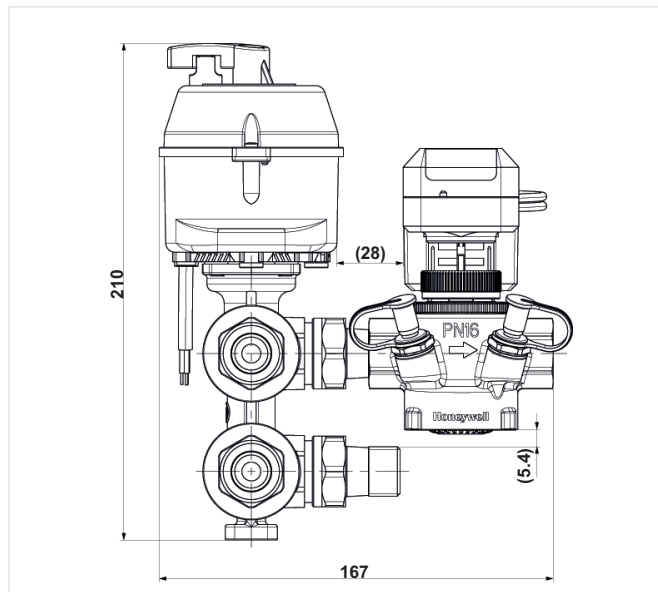
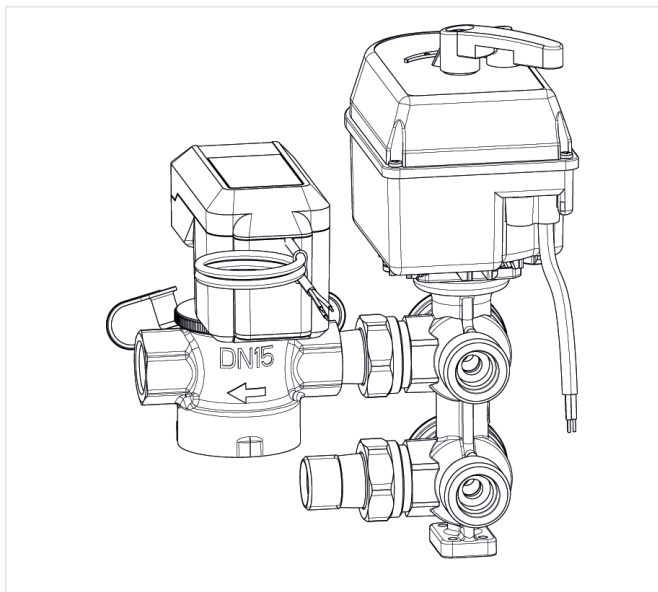
For more-detailed information on mounting, see the Mounting Instructions supplied with each actuator.

Recommendation: Turn the valve actuator at least once a week to avoid sticking the valve in one position

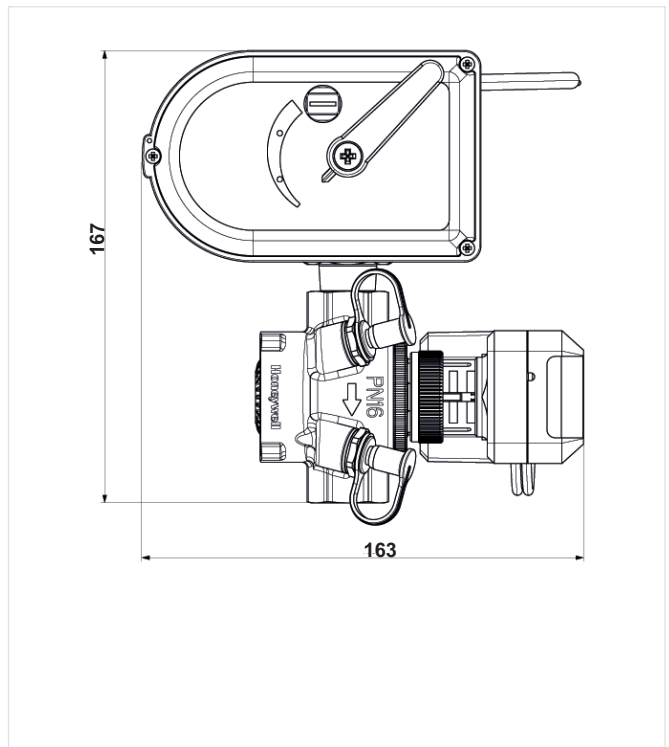
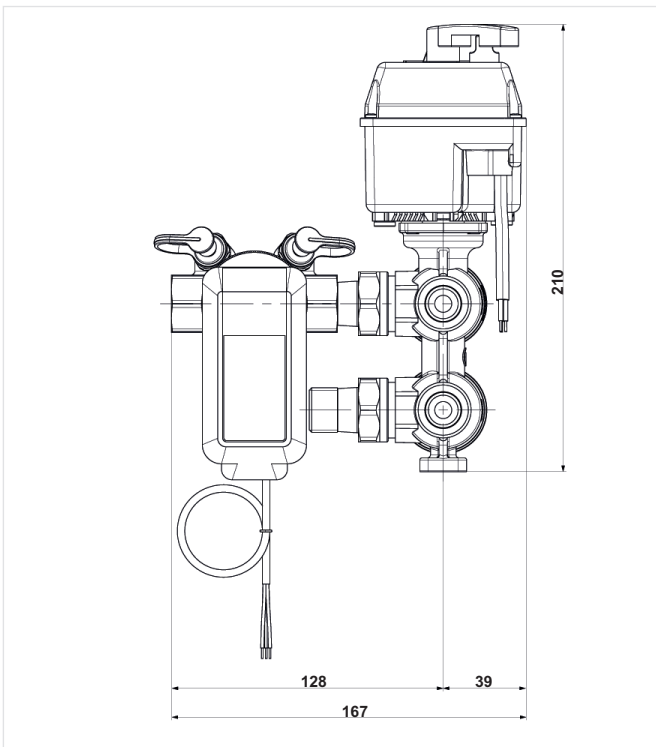
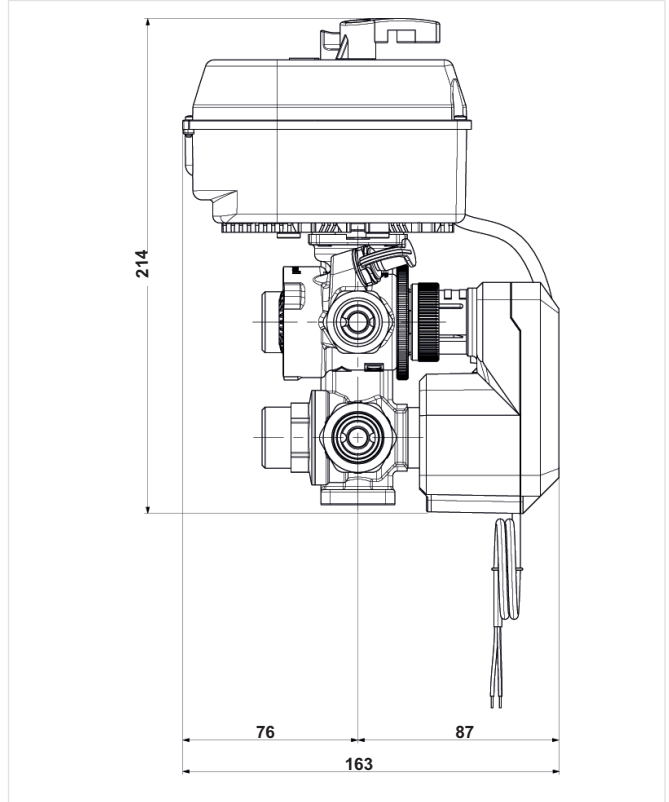
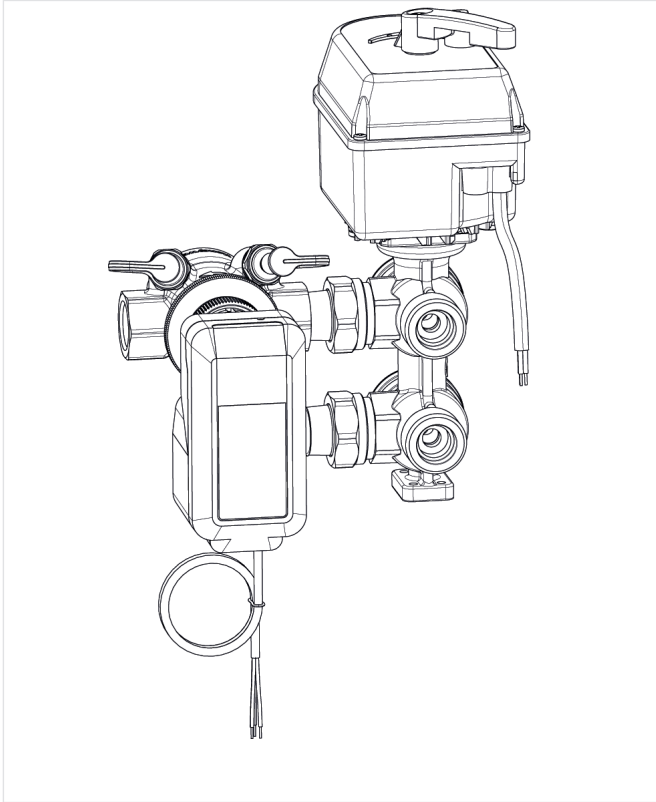


VBG6-15 with Kombi-FCU DN15 (connected via ACS-15T)

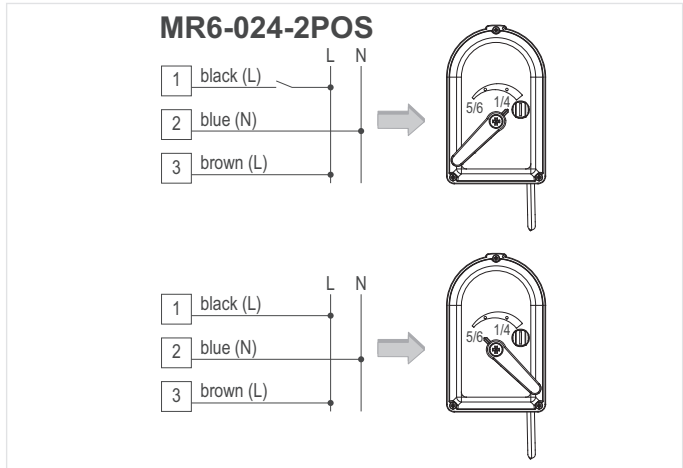
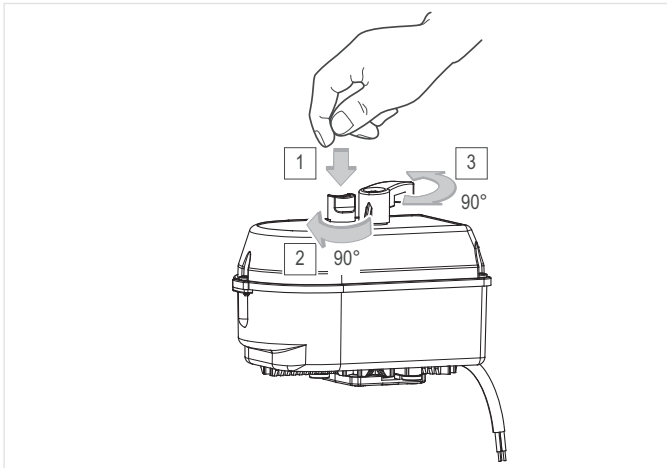
Option 1



Option 2



Electrical Installation



MR6-024-010

24 VAC, 50 Hz

- SN black - GND
- X Output Signal 0 - 10 VDC red - X (+)
- Y Control Signal 0 - 10 VDC, 4 - 20mA blue - Y (+)
- SP brown

DIP Switches

DIP	CCW ↺	CW ↻
1	OFF	ON

DIP	↙	↘
2	OFF	ON

DIP	0,16 - 9,84V 0 - 20mA	2 - 9,84V 4 - 20mA	0,16 - 4,88V	5,12 - 9,84V
Con. sig. resolution:	40mV	40mV	40mV	40mV
3	OFF	OFF	ON	ON
4	OFF	ON	OFF	ON

DIP	U(V)	I(mA)
5	OFF	ON

Environmental & Energy Solutions

Honeywell GmbH
 Hardhofweg
 74821 MOSBACH
 GERMANY
 Phone: (49) 6261 810
 Fax: (49) 6261 81309
<http://ecc.emea.honeywell.com>

Manufactured for and on behalf of the
 Environmental and Combustion Controls
 Division of Honeywell Technologies Sàrl, Z.A.
 La Pièce 16, 1180 Rolle, Switzerland
 by its Authorised Representative Honeywell GmbH
 ENOH-2332GE23 R1117
 Subject to change
 © 2017 Honeywell GmbH

