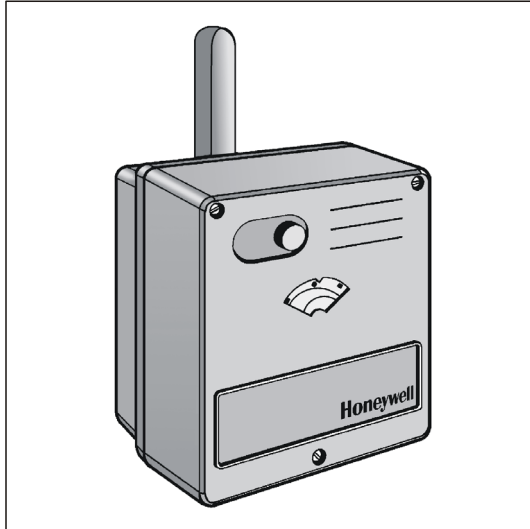


M7061 ROTARY VALVE ACTUATORS

PRODUCT DATA



FEATURES

- Protected against overload and blocking
- Maintenance-free electrical actuator for rotary valves
- Clear position indicator
- Direct mounting on rotary valves
- Manual operation
- High torque
- Large wiring cabinet
- Long lifetime

TECHNICAL DATA

Power supply	24 Vdc (-10%, +15%), 50/60 Hz
Power consumption	100 mA
Control signal	0...10 V / 2...10 V
Angle of rotation	90°
Run time	model-dependent; see table
Nominal torque	model-dependent; see table
Protection standard	IP 54 per EN 60529
Insulation class	I per EN 60730
Ambient operating temperature	0...45 °C
Water temperatures in valve	2...110 °C
Relative humidity	non-condensing
Weight	1.5 kg

APPLICATION

The Honeywell M7061 actuator is designed to provide modulating control in heating and air conditioning systems. High control performance and a robust design are standard for this actuator. In combination with valves DRxxxGMLA / DRxxxGFLA, ZRxxxMA / ZRxxxFA, and DRU, it is possible to control very exact heating and cooling water temperatures. The mechanical interface between actuator and valve is designed for reliable operation. Actuators with torques from 10 Nm up to 20 Nm are available for a wide range of rotary mixing valves (DN 15 up to DN 100).

Model-Specific Technical Data

torque	run time	valve dimension	OS number
10 Nm	~ 1.5 min	DN15 to DN40	M7061E1012
20 Nm	~ 3.0 min	DN15 to DN80	M7061E1020

Suitable Valves

DRxxxGMLA / DRxxxGFLA, ZRxxxMA / ZRxxxFA, DRU

OPERATION

The actuator is powered by a DC-motor. The spindle of the actuator rotates 90°. The position is controlled by internal electronics.

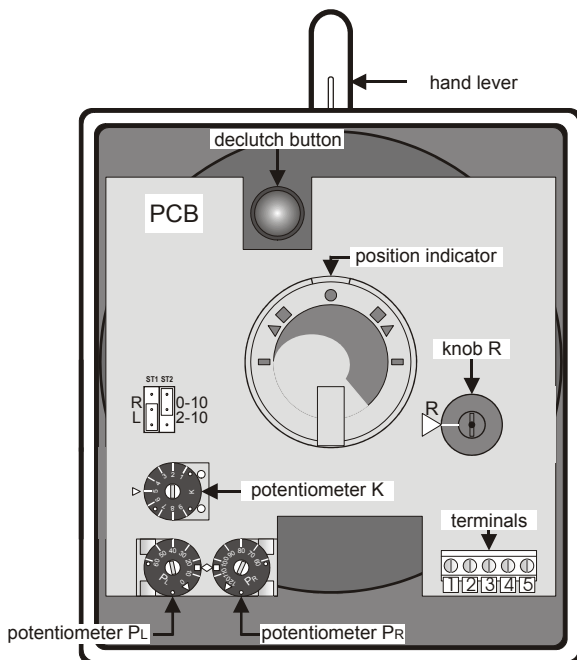


Fig. 1. Main features

The angle of rotation is electronically limited and can be adjusted (see section "Angle of Rotation"). The spindle can also be rotated manually by using the declutch button (see Fig. 1) to disengage the gear and then turning the hand lever. As soon as the actuator is powered, the valve is driven by the actuator again.

An electrical overload circuit protects the actuator. If the rated torque is exceeded, the actuator is switched OFF automatically.

The actuator is maintenance-free.

Commissioning and Service

Direction of Motor Rotation

The direction of rotation can be defined using jumper **ST1** (see Fig. 1).

- ST1 in "L" (left) position (factory setting): clockwise rotation $0 \rightarrow 100\%$ (i.e. when $Y = 0$ Vdc, the hand lever is at the left end)
- ST1 in "R" (right) position: counterclockwise rotation $100\% \leftarrow 0$ (i.e. when $Y = 0$ Vdc, the hand lever is at the right end).

Input Signal Y

The input signal Y can be set using jumper **ST2** (see Fig. 1):

- ST2 in the upper position (factory setting): $Y = 0 \dots 10$ Vdc
- ST2 in lower position: $Y = 2 \dots 10$ Vdc

Adjusting Spindle to Feedback Potentiometer

The position of the spindle can be adjusted to match the signal from the feedback potentiometer using **knob R** (see Fig. 1). With the motor in the center position (the mark on the hand lever must line up with the mark on the motor housing), the graduation on knob R must point to the triangle on the PCB (factory setting). Adjustment is required only if the printed circuit board is changed for servicing.

Actuator Characteristic

The actuator characteristic, i.e. the relation between motor rotation and the input signal Y , can be altered to suit the given valve using **potentiometer K** (see Fig. 1). The curve of the characteristic between its start and end points can be adjusted infinitely between convex, linear and concave (see Fig. 2). Potentiometer K is marked with the numerals 1 through 9. The linear characteristic $K = 5$ is the factory setting.

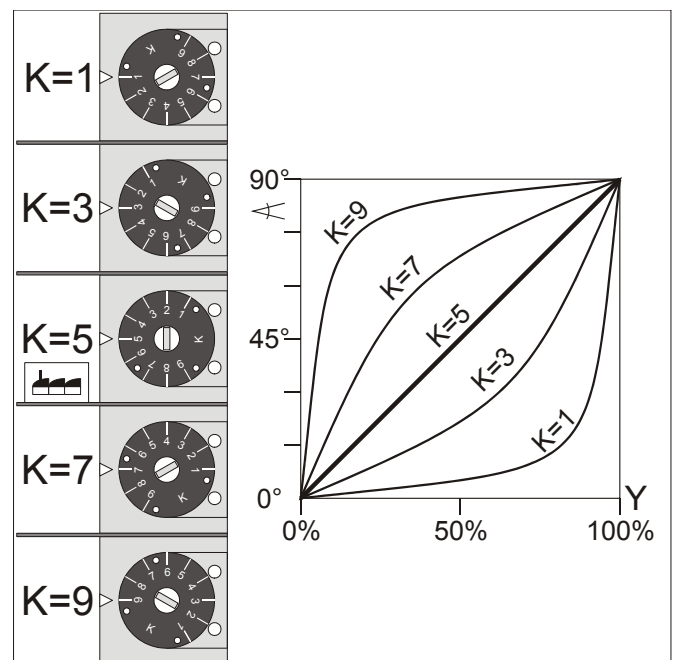


Fig. 2. Characteristic curve

Examples

When mounting the proportional actuator onto a valve with a linear characteristic, an equal percentage characteristic on the controlled unit can be achieved by setting a concave curve ($K \approx 3$).

An actuator used together with an oversized mixing valve is a further application requiring a concave curve ($K \approx 3$).

Angle of Rotation

The angle of rotation is adjustable via the **potentiometers P_L and P_R** (see Fig. 1). Start and end points can be adjusted independently.

The nominal angle is 90° ($105^\circ - 15^\circ = 90^\circ$); the potentiometers are factory set as follows: $P_L = 15$ and $P_R = 105$. These settings are marked by a square ■.

The desired angle can be adjusted by changing the start and end points; within the total range, all angles are possible.

The start point can be adjusted between 0 and 60° using potentiometer P_L , while the end point is adjustable between 60° and 120° using potentiometer P_R .

Fig. 4 shows an example setting of the angle rotation in which the start point has been set to 15° and the end point to 105° , and Fig. 4 shows the corresponding relation between the input signal and the angle of rotation.

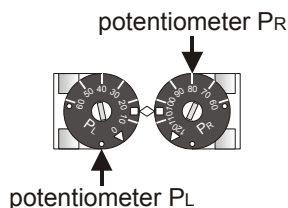


Fig. 3. Example setting of angle of rotation (P_L and P_R)

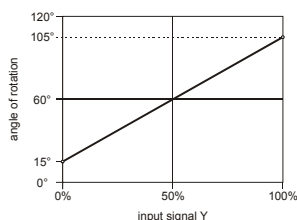


Fig. 4. Input signal Y and angle of rotation

Mounting on the Valve

Before mounting the actuator, position the rotary valve as appropriate; see also DRxxxGMLA / DRxxxGFLA – Product Data (EN0B-00607GE51), ZRxxxMA / ZRxxxFA – Product Data (EN0B-0606GE51), and DRU – Product Data (EN0B-0608GE51).

For more information, see also M7061 Installation Instructions (MU1B-0243GE51).

Electrical Connection

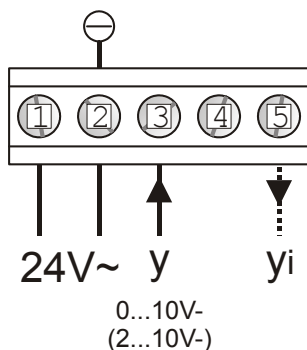


Fig. 5. Wiring

To override the input signal Y, i.e. in order to control the position from an external source, connect to motor terminals as follows:

- for a signal variable of 100%, connect terminal 3 to terminal 4
- for a signal variable of 0%, connect terminal 3 to terminal 2 (system ground or ground wire).

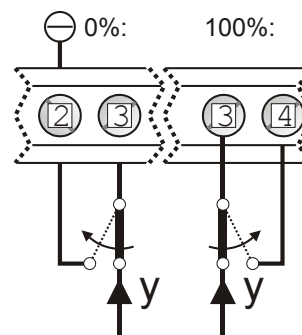


Fig. 6. Overriding the input signal

DIMENSIONS

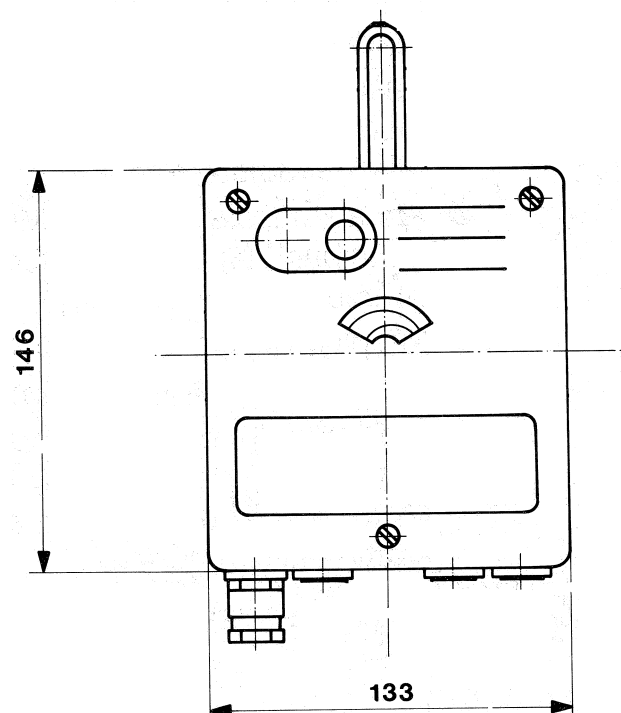


Fig. 7. M7061, dimensions (in mm)

Dimensions with DRxxxGMLA (mm)

model	DN	c
DR15GMLA	15	179
DR20GMLA	20	179
DR25GMLA	25	179
DR32GMLA	32	188
DR40GMLA	40	188

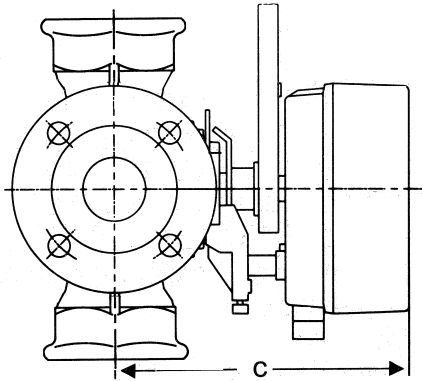


Fig. 8. M7061 with DRxxxGMLA, dimensions

Dimensions with DRUxxxGMLA (mm)

model	DN	h
DRU25-2.5	25	182
DRU25-4.0	25	182
DRU25-6.3	25	182
DRU25-10	25	182
DRU25-16	25	182
DRU32-10	32	200
DRU32-16	32	200
DRU32-25	32	200

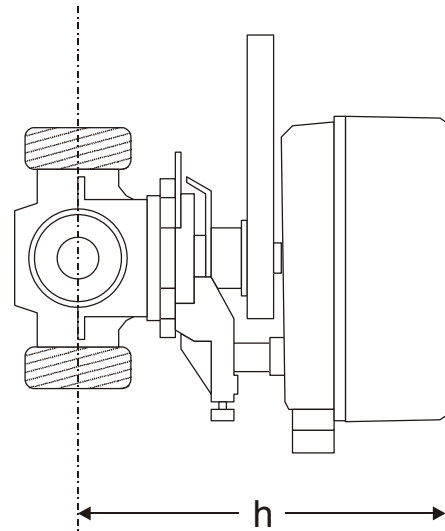


Fig. 10. M7061 with DRU, dimensions

Dimensions with DRxxxGFLA (mm)

model	DN	c
DR20GFLA	20	179
DR25GFLA	25	179
DR32GFLA	32	188
DR40GFLA	40	188
DR50GFLA	50	202
DR65GFLA	65	219
DR80GFLA	80	219
DR100GFLA	100	240
DR125GFLA	125	267
DR200GFLA	150	274

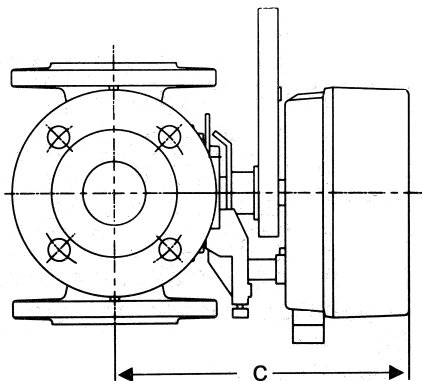


Fig. 9. M7061 with DRxxxGFLA, dimensions

Dimensions with ZRxxxMA (mm)

model	DN	c
ZR15MA	15	179
ZR20MA	20	179
ZR25MA	25	179
ZR32MA	32	188
ZR40MA	40	188

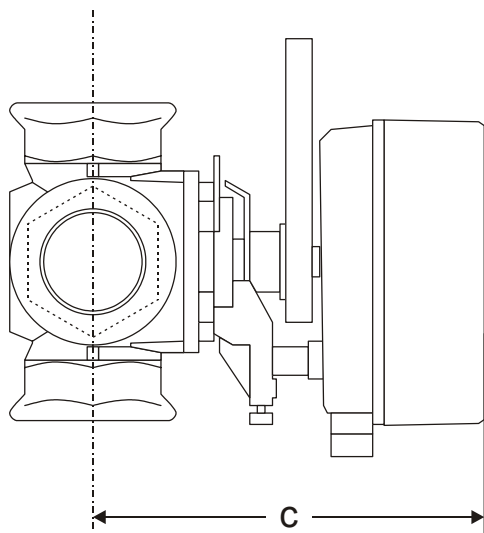


Fig. 11. M7061 with ZRxxxMA

Dimensions with ZRxxxFA (mm)

model	DN	c
ZR25FA	25	179
ZR32FA	32	188
ZR40FA	40	188
ZR50FA	50	202
ZR65FA	65	219
ZR80FA	80	219
ZR100FA	100	240
ZR125FA	125	267
ZR150FA	150	274
ZR200FA	200	314

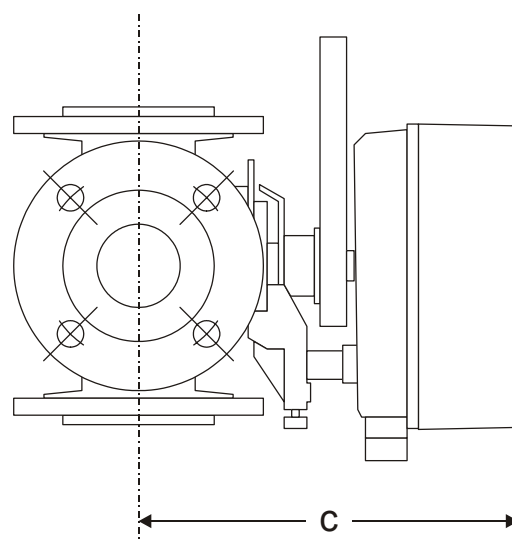


Fig. 12. M7061 with ZRxxxFA

Honeywell

Manufactured for and on behalf of the Environmental and Combustion Controls Division of Honeywell Technologies Sàrl, Ecublens, Route du Bois 37, Switzerland by its Authorized Representative:

Automation and Control Solutions

Honeywell GmbH
Böblinger Straße 17
D-71101 Schönaich
Phone: (49) 7031 63701
Fax: (49) 7031 637493
<http://europe.hbc.honeywell.com>

Subject to change without notice. Printed in Germany

EN0B-0076GE51 R0207

DIN EN
ISO 9001